

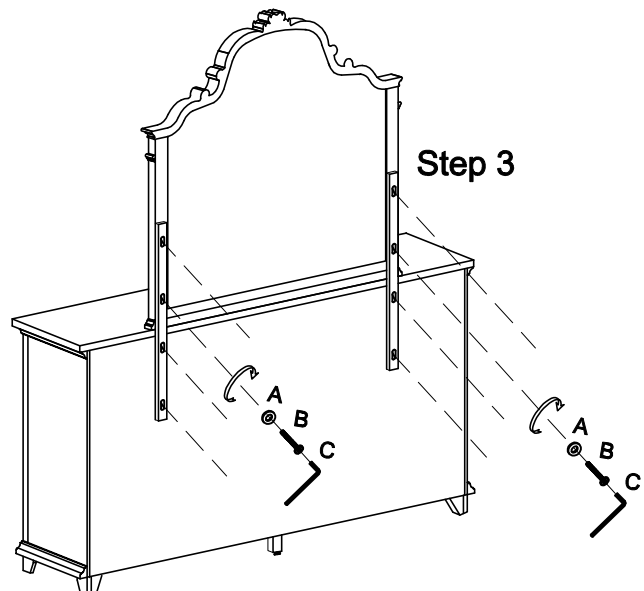
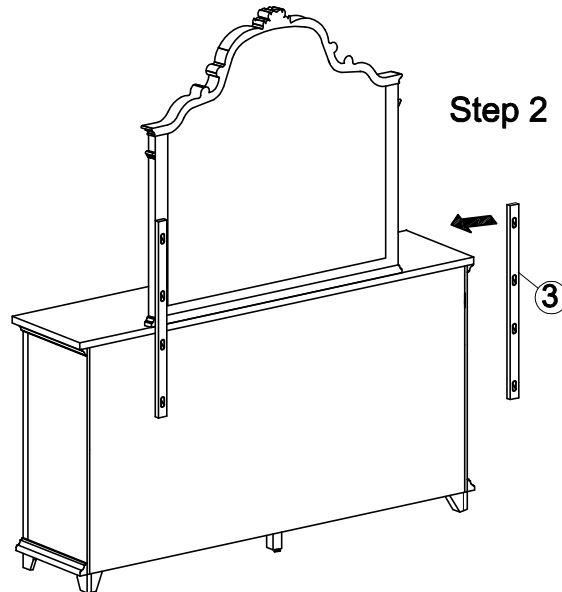
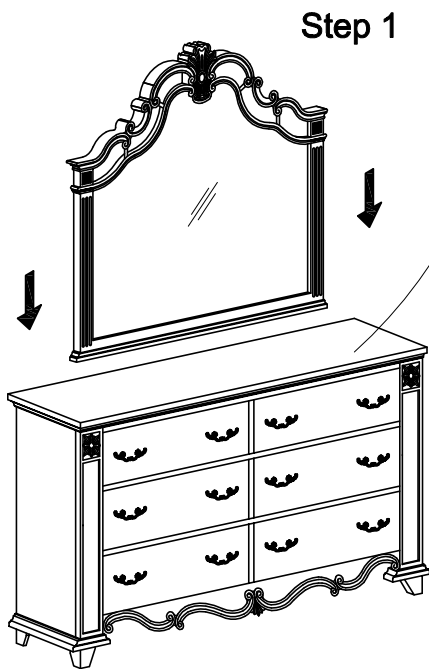


ASSEMBLY INSTRUCTION

Item No.: 1429-6 Mirror

Thank you for purchasing this quality product. Be sure to check all packing material carefully for small Hardware which may have come loose inside the carton during shipment. Identify and count all hardware and compare with the hardware list below.

★ Remark : there is a tip restraint kit provided on the back of this product. Please read the directions thoroughly and install immediately when placed in home.



Part List

NO.	DESCRIPTION	Q'TY
1	Mirror	1PC
2	Mirror support	2PCS

HARDWARE LIST

NO.	FIGURE	Q'TY	DESCRIPTION
A	⊙	8PCS	Flat washer(Ø5/16**Ø3/4")
B	⚓	8PCS	Bolt (Ø5/16**1-3/8")
C	⌒	1PC	Allen Key