



ASSEMBLY INSTRUCTION

1616-5 - Dresser

Thank you for purchasing this product. Please take time to read and follow the instructions below. Check that you have all parts and hardware before assembly .



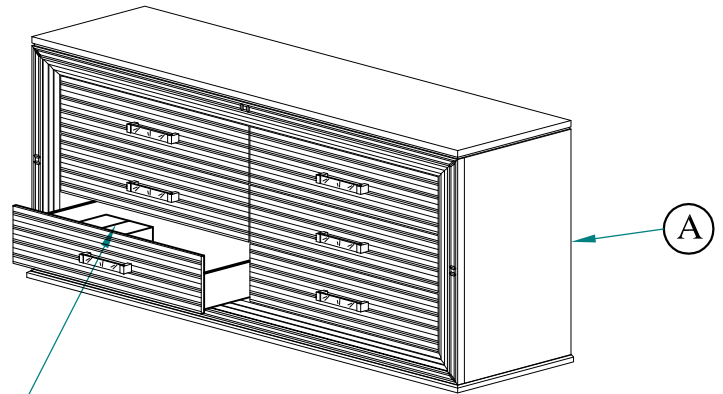
It is recommended to install protective pads under all legs and supports to avoid damage or scratches when placing furniture on a wood floor or other hard surface, and to limit indentation and prevent discoloration if placing on carpet.



DO NOT TIGHTEN BOLTS UNTIL COMPLETELY ASSEMBLED.

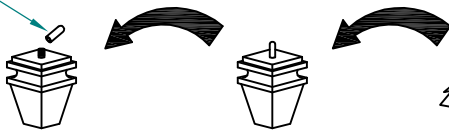
PART LIST

NO	NAME	PART	QTY
A	Dresser		1pc
B	Bun Foot		4pcs
C	Center Leg		1pc

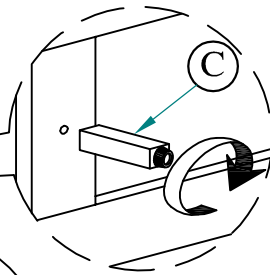
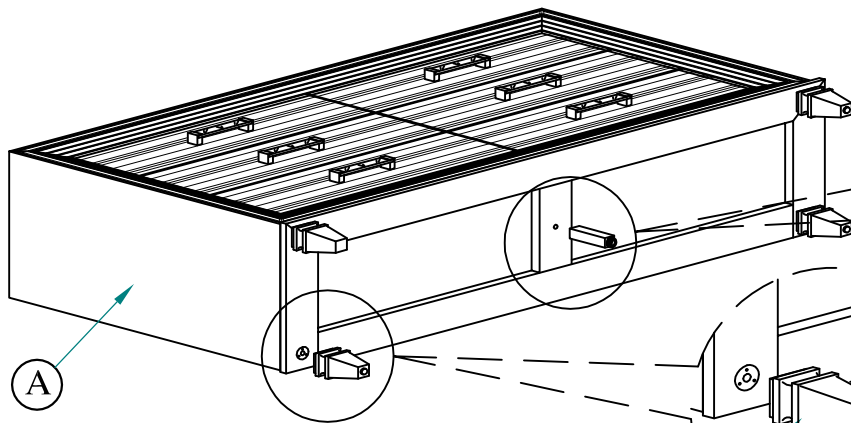


Remove Bun Foot carton located in the drawer of the casegood. Remove and unwrap each foot.

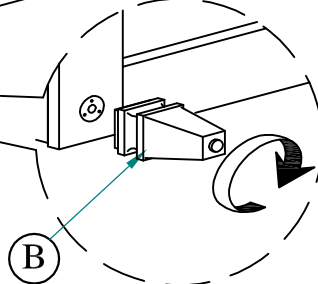
Bun Foot cover



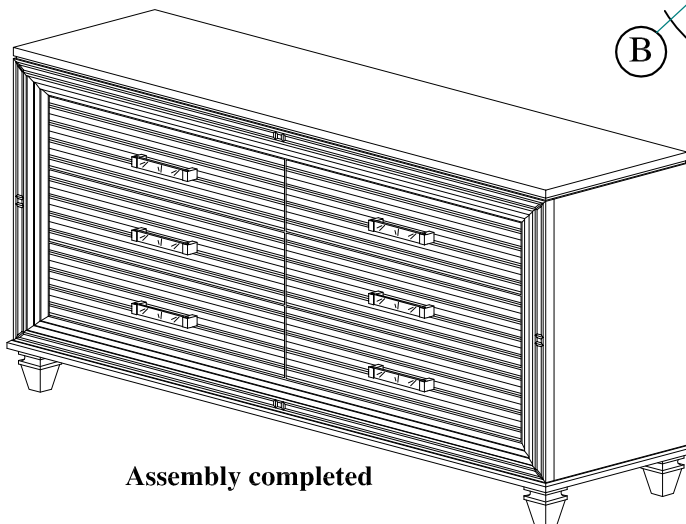
Remove Bun Foot cover before assemble.



Secure the (C) Bun Foot to the bottom of (A) Dresser as a diagram shown.



Secure the (B) Bun Foot to the bottom of (A) Dresser as a diagram shown.



Assembly completed



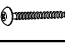
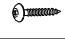


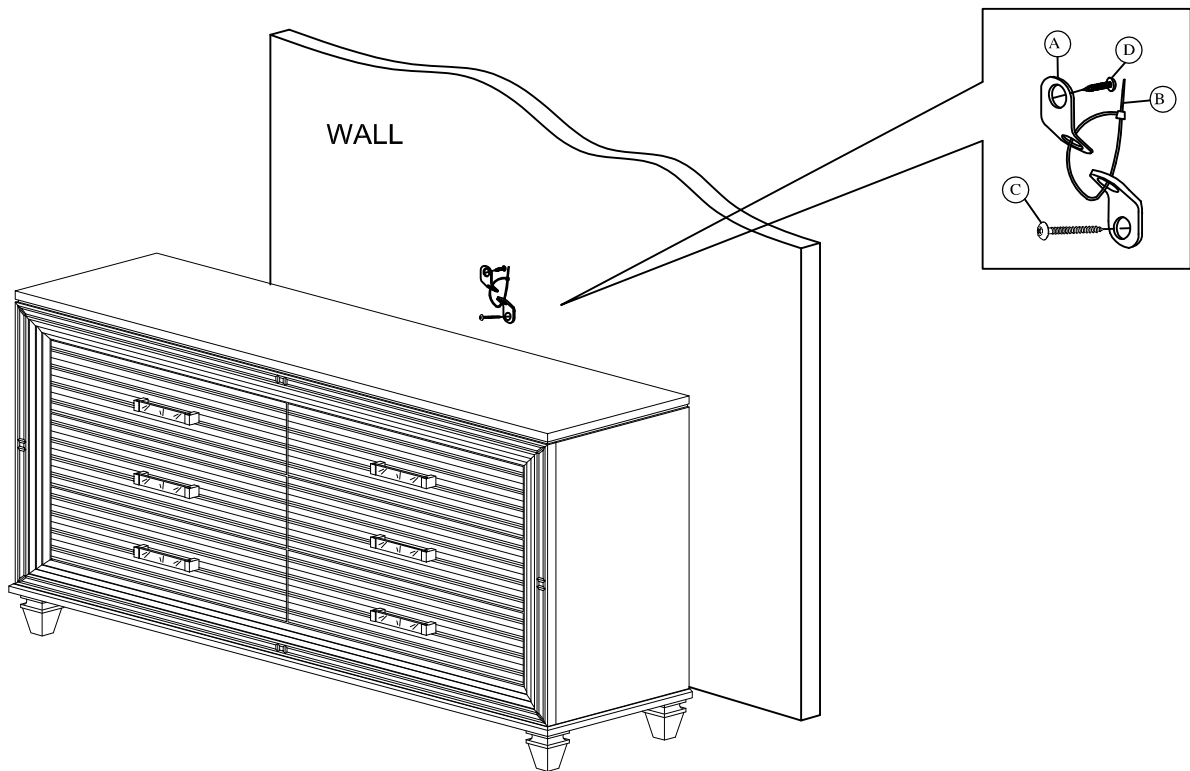
NOTE

Tipping Restraint hardware kit is included with this product. Refer to installation instruction in the hardware pack.

*ANTI-TIPPING HARDWARE PACK IS AT THE BACK PANEL

HARDWARE LIST

NO	NAME	PART	QTY
A	Bracket		2pcs
B	Tie Wrap		1pc
C	Long Screw		1pc
D	Short Screw		1pc



Assembly completed



NOTE

Tipping Restraint hardware kit is included with this product. Refer to installation instruction in the hardware pack.

*ANTI-TIPPING HARDWARE PACK IS AT THE BACK PANEL