



ASSEMBLY INSTRUCTION

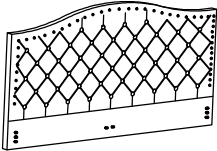
HOMELEGANCE

1882KN-1CK CAL KING BED HEADBOARD

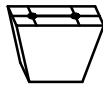
1882KN-2CK CAL KING BED FOOTBOARD

1882KN-3CK CAL KING BED RAILS & SLATS

HEADBOARD LIST: (NOTE:HARDWARE PACK INSIDE THE CARTON OF 1882KN-1CK)



A: Headboard
1PC



B: Leg
2PCS



C:LSF Wing
1PC



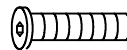
D:RSF Wing
1PC



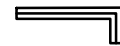
E: Spring Washer
4PCS



F: Flat Washer
8PCS



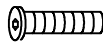
G: Bolt M8*30mm
4PCS



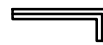
H: Allen Key 5mm
1PC



I: Screw 4.0*60mm
4PCS



J: Bolt M6*35mm
4PCS



K: Allen Key 4mm
1PC

FOOTBOARD AND RAILS LIST:(NOTE:HARDWARE PACK INSIDE THE CARTON OF 1882KN-3CK)



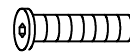
B: Leg
2PCS



E: Spring Washer
4PCS



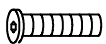
F: Flat Washer
4PCS



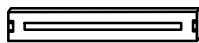
G: Bolt M8*30mm
4PCS



I: Screw 4.0*60mm
4PCS



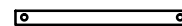
J: Bolt M6*35mm
4PCS



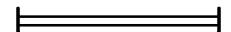
L: Rail
2PCS



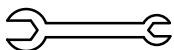
M: Footboard
1PC



N: Slat
4PCS



O: Center Support
Rail 1PC



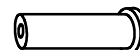
P: Wrench 1/4*35mm
1PC



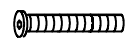
Q: Nut 1/4
8PCS



R: Bolt 1/4*15mm
4PCS



S: Support Leg
4PCS

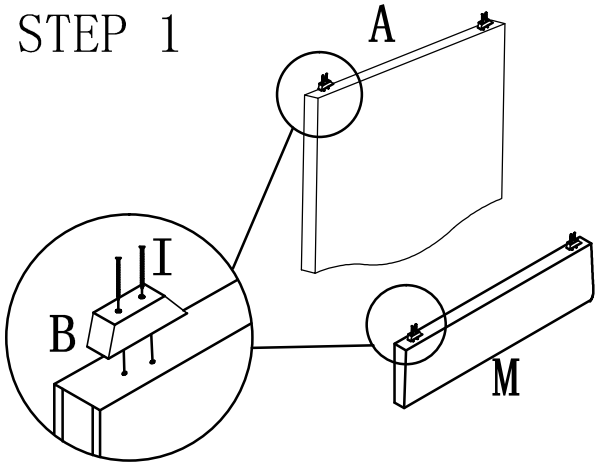


T: Bolt 1/4*48mm
8PCS

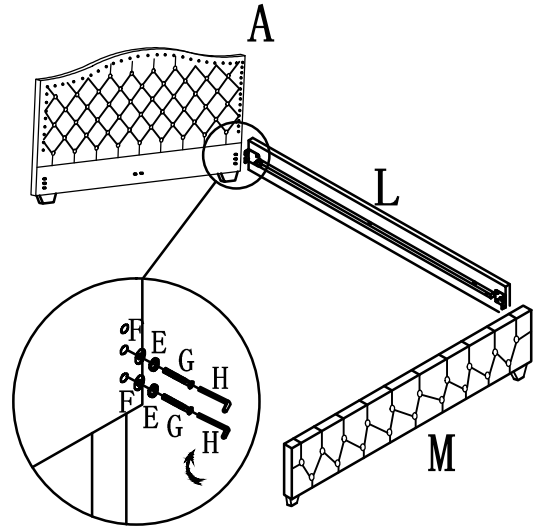
ASSEMBLY INSTRUCTION FOR REGULAR BED SET.

NOTE: PLEASE DO NOT TIGHTEN ALL BOLTS UNTIL THE BED IS ASSEMBLED COMPLETELY.

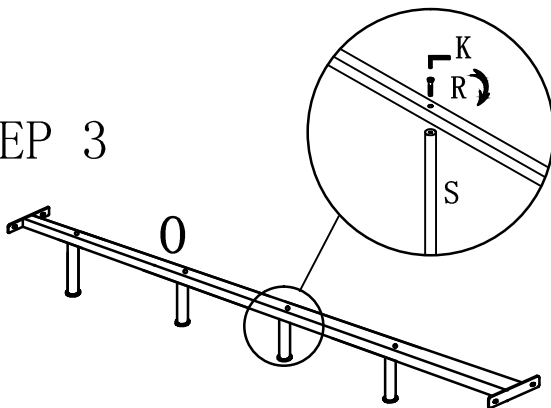
STEP 1



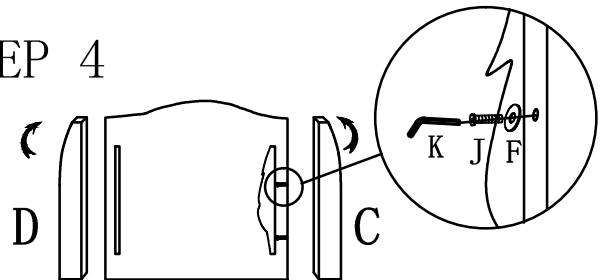
STEP 2



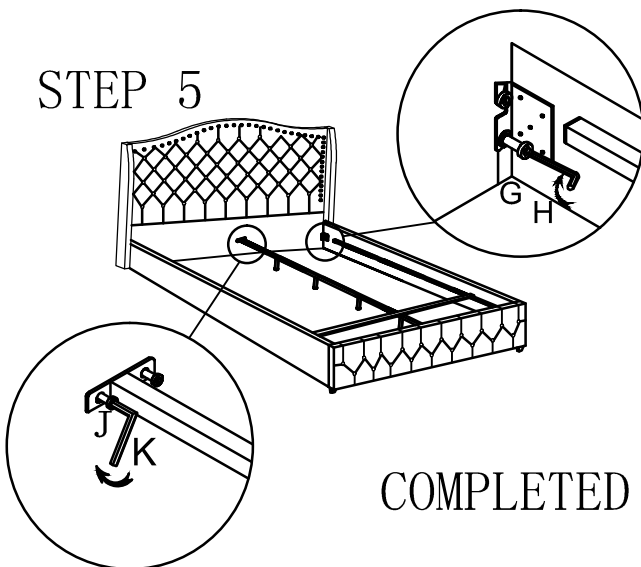
STEP 3



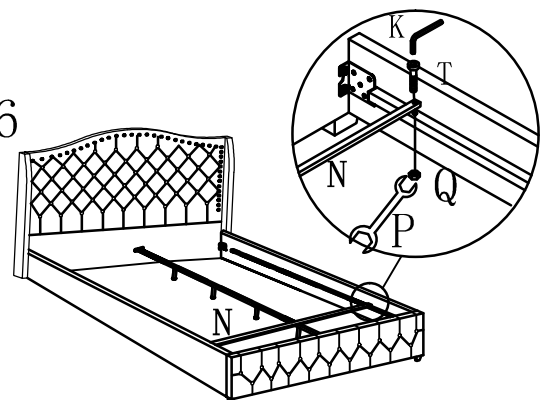
STEP 4



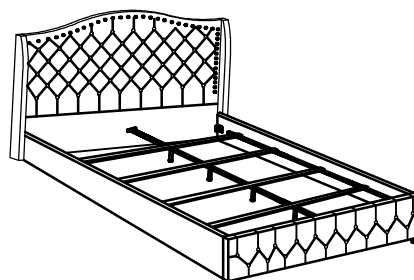
STEP 5



STEP 6



COMPLETED

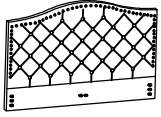




ASSEMBLY INSTRUCTION

HOME ELEGANCE 1882KN-1CK CAL KING HEADBOARD

HEADBOARD LIST: (NOTE:HARDWARE PACK INSIDE THE CARTON OF 1882KN-1CK)



A: Headboard
1PC

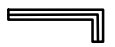
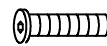
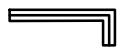
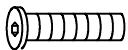
B: Leg
2PCS

C:LSF Wing
1PC

D:RSF Wing
1PC

E: Spring Washer
4PCS

F: Flat Washer
8PCS



G: Bolt M8*30mm
4PCS

H: Allen Key 5mm
1PC

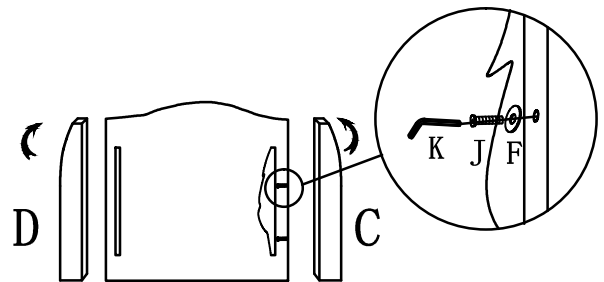
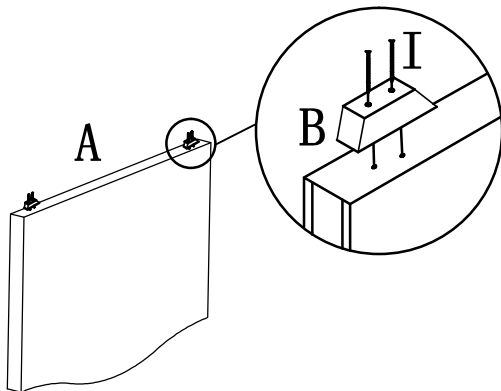
I: Screw 4.0*60mm
4PCS

J: Bolt M6*35mm
4PCS

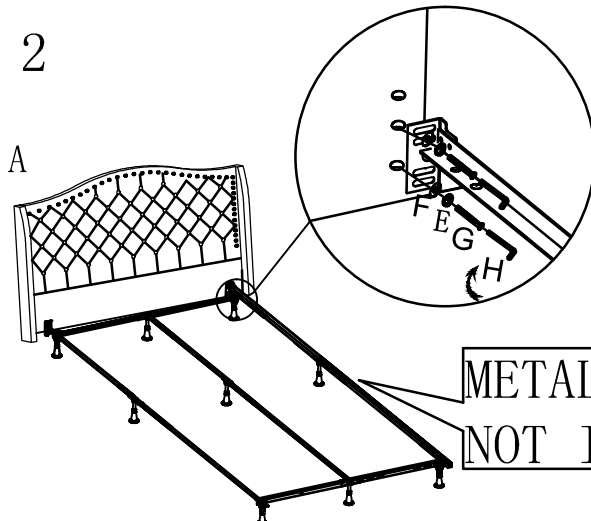
K: Allen Key 4mm
1PC

ASSEMBLY INSTRUCTION FOR 1882KN-1CK CAL KING HEADBOARD ONLY.
NOTE: PLEASE DO NOT TIGHTEN ALL BOLTS UNTIL THE BED IS ASSEMBLED COMPLETELY.

STEP 1



STEP 2



COMPLETED

