




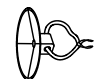


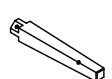

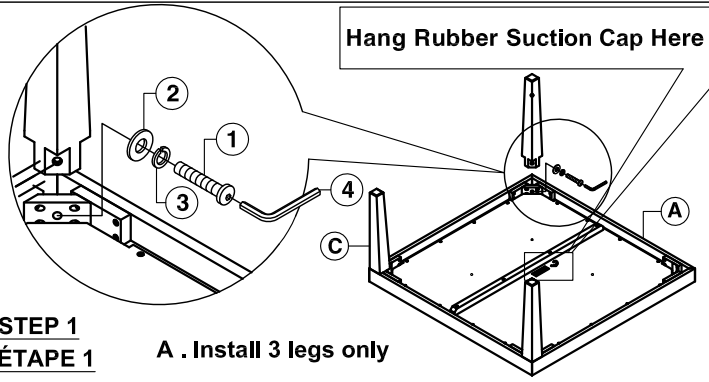


Thank you for purchasing this product. Please take the time to read and follow the instructions below. Check that you have all parts and hardware before assembly. Parts apparently missing are often found in the packing materials. If you do not have all the parts listed, have your dealer contact us and they will be sent to you immediately.

Merci d'avoir acheté ce produit. Veuillez lire et suivre les instructions ci-dessous. Vérifiez avant le montage que vous avez toutes les pièces et fixations. Les pièces qui semblent manquer se trouvent souvent dans les matériaux d'emballage. Si vous n'avez pas toutes les pièces de la liste, demandez à votre détaillant et nous vous les enverrons immédiatement.

NO	HARDWARE LIST/LISTE DE QUINCAILLERIE		
1		Bolt 1/4 x 57 Boulon 1/4 x 57	8 pcs
2		Flat Washer Rondelle Plate	8 pcs
3		Lock Washer Rondelle d'arrêt	8 pcs
4		Allen Wrench Clé Allen	1 pc
5		Plastic Bumper Pare- chocs en plastique	8 pcs
6		Rubber Suction Cap Capuchon de succion en caoutchouc	2 pcs

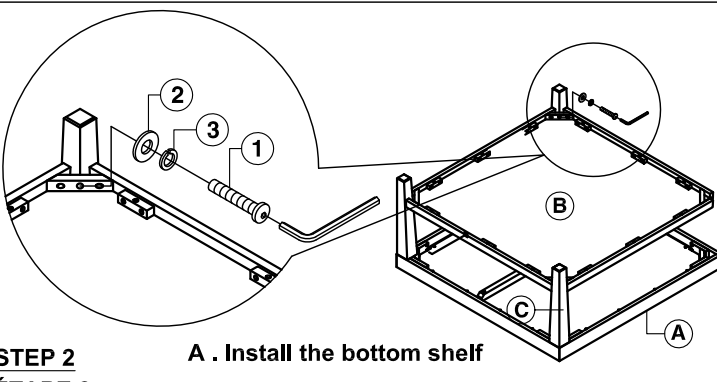
NO	PARTS LIST/ LISTE DE PIÈCES		
A		Table Top Dessus de table	1 pc
B		Bottom Shelf Tablette	1 pc
C		Legs Pied	4pcs
D		Glass Top Dessus de verre	1pc



STEP 1
ÉTAPE 1

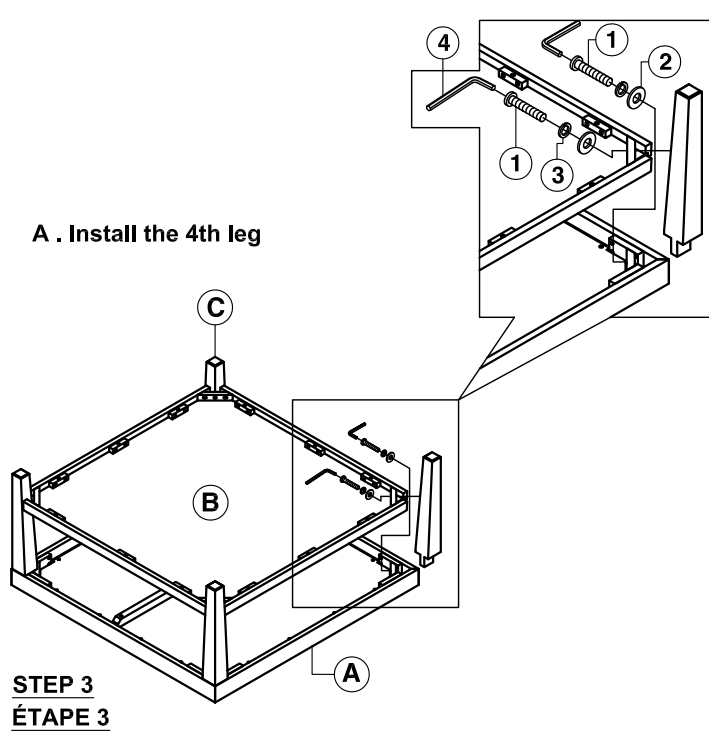
A . Install 3 legs only

Hang Rubber Suction Cap Here



STEP 2
ÉTAPE 2

A . Install the bottom shelf



A . Install the 4th leg

STEP 3
ÉTAPE 3

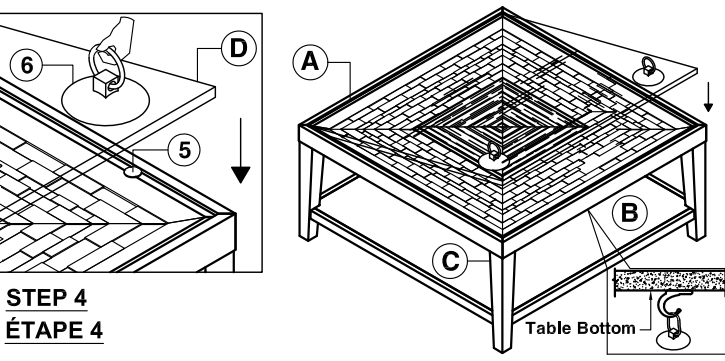
A. How to put the glass top into the glass frame
2 persons required:

- Person A Places the Rubber Suction Caps firmly on the left and right corners of the glass top.(see picture)
- Person B holds the other end of the glass top. Slots the glass top into the table frame slowly.
- Person A holds the 2 rubber suction caps and places the glass top into the table frame slowly until glass sets.
- Remove the rubber suction caps once the above steps are completed.

B: How to lift up the glass top to clean the table?
2 persons required.

- Places the Rubber Suction Caps firmly on the left and right corners of the glass top.(see picture)
- Lift up the glass top slowly with the help of another person.
- Remove the rubber suction cap once the above steps are completed.

WARNING:
Rubber suction cap can only lift up the glass top for a short period of time. DO NOT use it to lift up the glass top for a long period of time to avoid injury.



STEP 4
ÉTAPE 4

Remark: Please hang the rubber suction cap underneath the table top while it is not in used.