

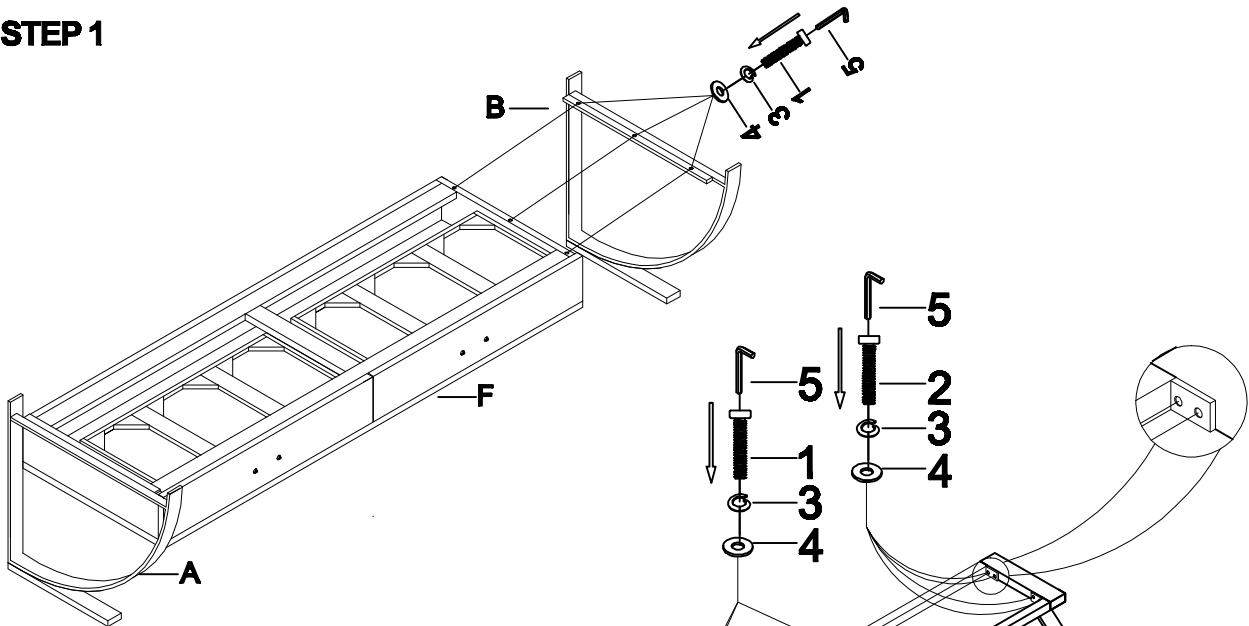


# Assembly Instruction

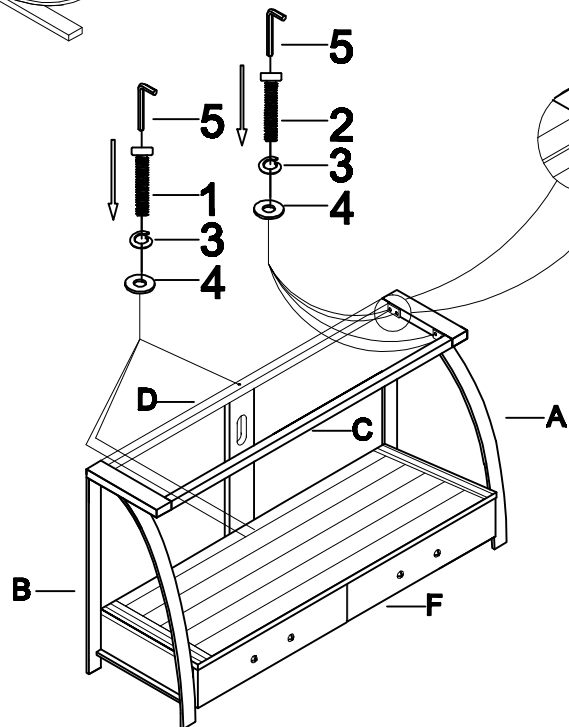
ITEM: 35330RF-T TV STAND

PART LIST				HARDWARE LIST			
A	RSF LEG		1PC	1	BOLT		Φ1/4"*1-1/4" 9PCS
B	LSF LEG		1PC	2	BOLT		Φ1/4"*5/8" 8PCS
C	FRONT IRON CROSSBAR		1PC	3	SPRING WASHER		Φ1/4" 17PCS
D	REAR IRON CROSS BAR		1PC	4	FLAT WASHER		Φ1/4"*16mm 17PCS
E	BACK PANEL		1PC	5	ALLEN KEY		4mm 1PC
F	BOTTOM DRAWER UNIT		1PC	6	GLASSDISC		Φ18*20mm 8PCS
				7	GLASS TOP		1524*379*10mm 1PC

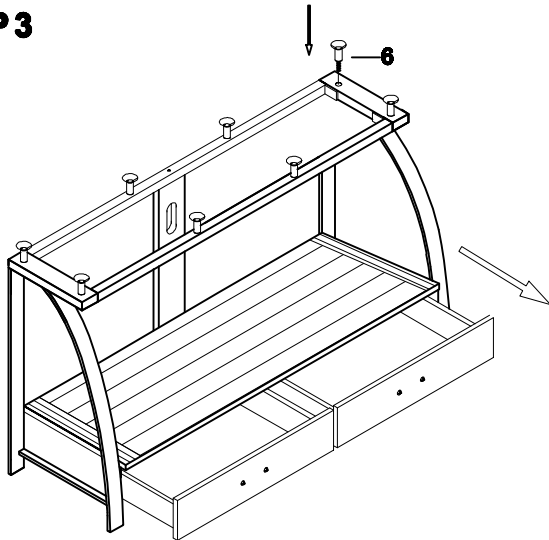
## STEP 1



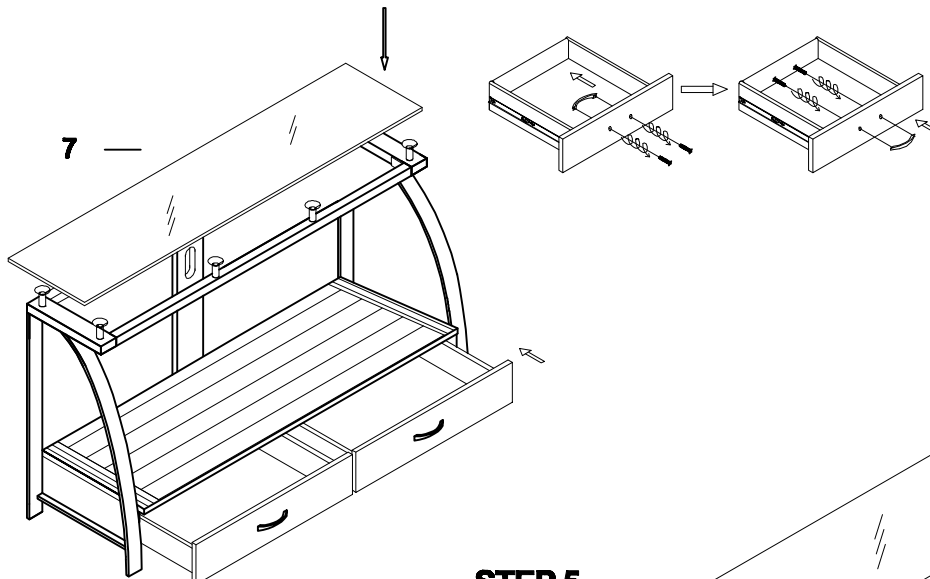
## STEP 2



**STEP 3**




**STEP 4**



**STEP 5**



 For items use on wooden floor, hard surfaces or carpets, it is recommended to install protective pads under all legs and supports to avoid/prevent from damages/scratches and discoloration.