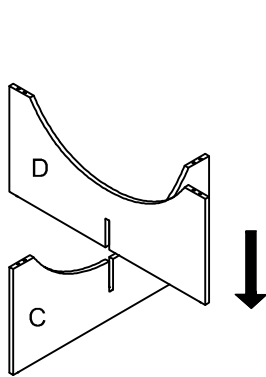




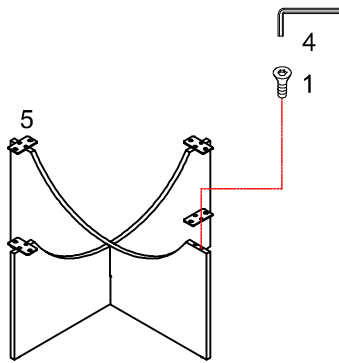
# Assembly Instruction

ITEM#:3614-01 COCKTAIL TABLE WITH 4 STOOLS

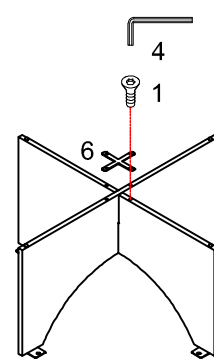
PARTS LIST				HARDWARE LIST				
A		Top frame	1 PC	1		Bolt	1/4"*5/8"	28 PCS
B		Glass top	1 PC	2		Bolt	1/4"*5/8"	72 PCS
C		Lower table leg frame	1 PC	3		Flat washer	1/4"	72 PCS
D		Upper table leg frame	1 PC	4		Allen key	4mm	4 PCS
E		Lower stool leg frame	4 PCS	5		Metal plate	100*50*3mm	4 PCS
F		Upper stool leg frame	4 PCS	6		Metal rail	150*150*3mm	5 PCS
G		Seat cushion	4 PCS	7		Metal bracket	100*40*28*3mm	16 PCS



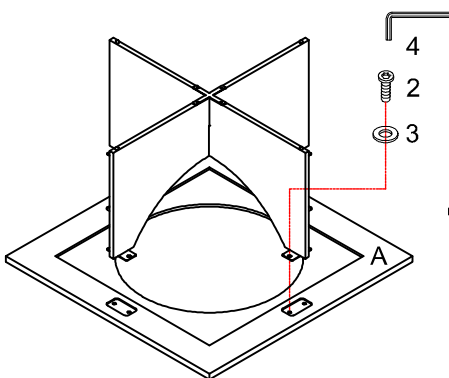
**STEP 1**



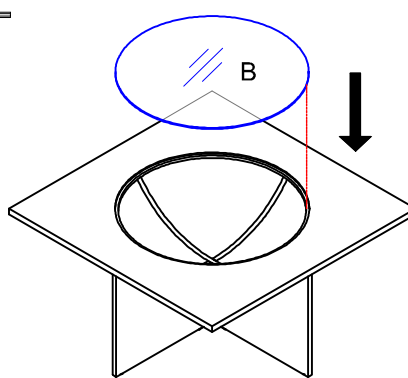
**STEP 2**



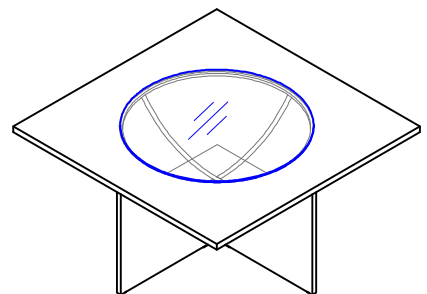
**STEP 3**

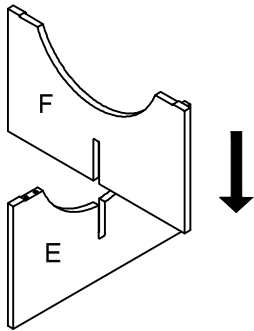


**STEP 4**

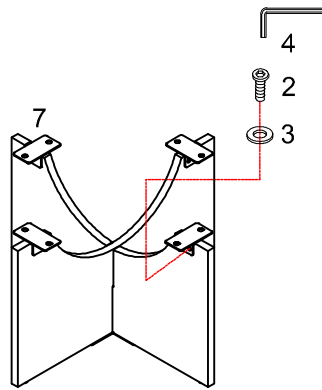


**STEP 5**

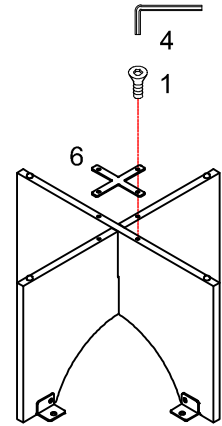




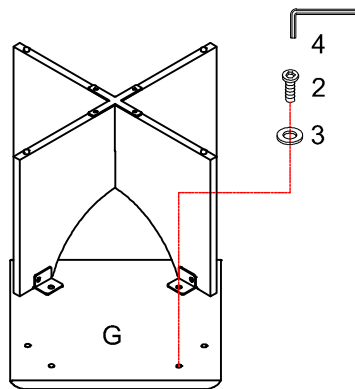
**STEP 1**



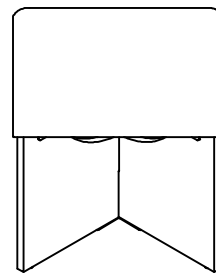
**STEP 2**



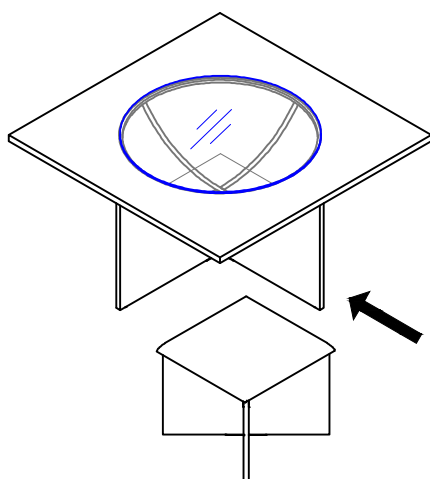
**STEP 3**



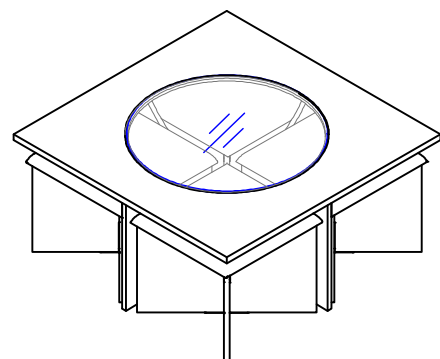
**STEP 4**



**STEP 5**



**STEP 6**



For items use on wooden floor, hard surfaces or carpets, it is recommended to install protective pads under all legs and supports to avoid/ prevent from damages/ scratches and discoloration.