



ASSEMBLY INSTRUCTION

ITEM NO:8317WHT/DGY/BLK-2A

Armless 2-seater with Pull-out bed



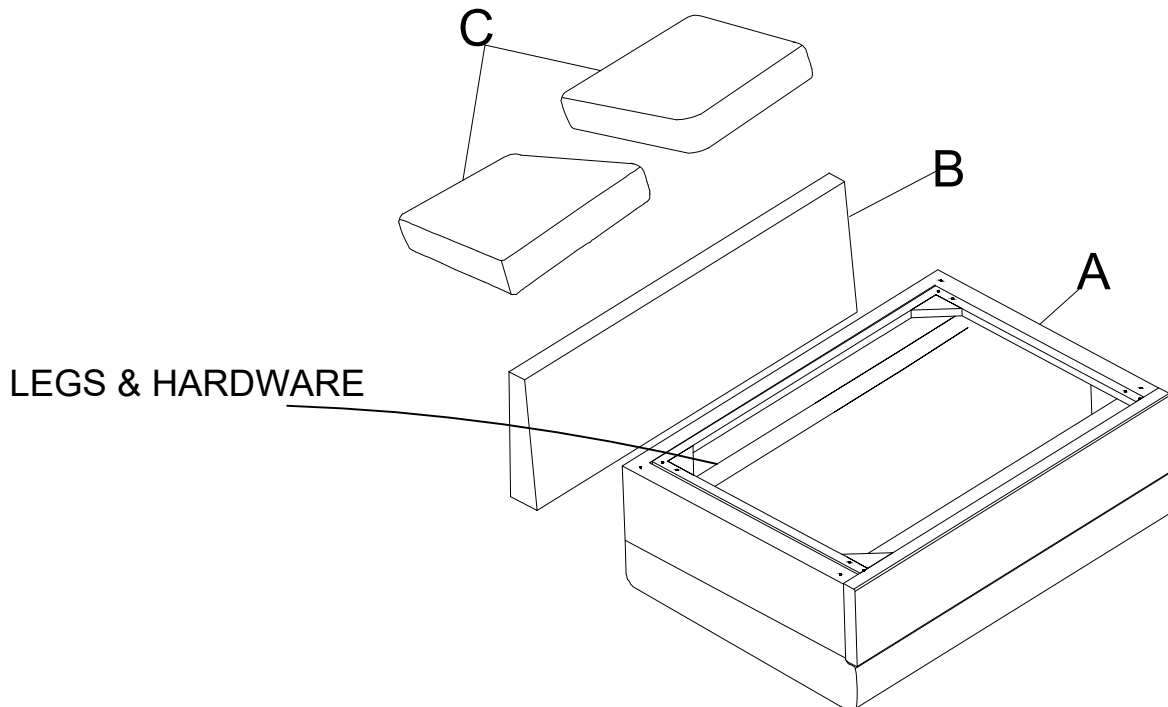
Back cushions are stored underneath the seating. Legs and hardware are packed in the box. Please take out for assembly.

Note: Do not use power tools for assembly. Power tools increase the risk of over tightening which leads to splitting or cracking the wood.

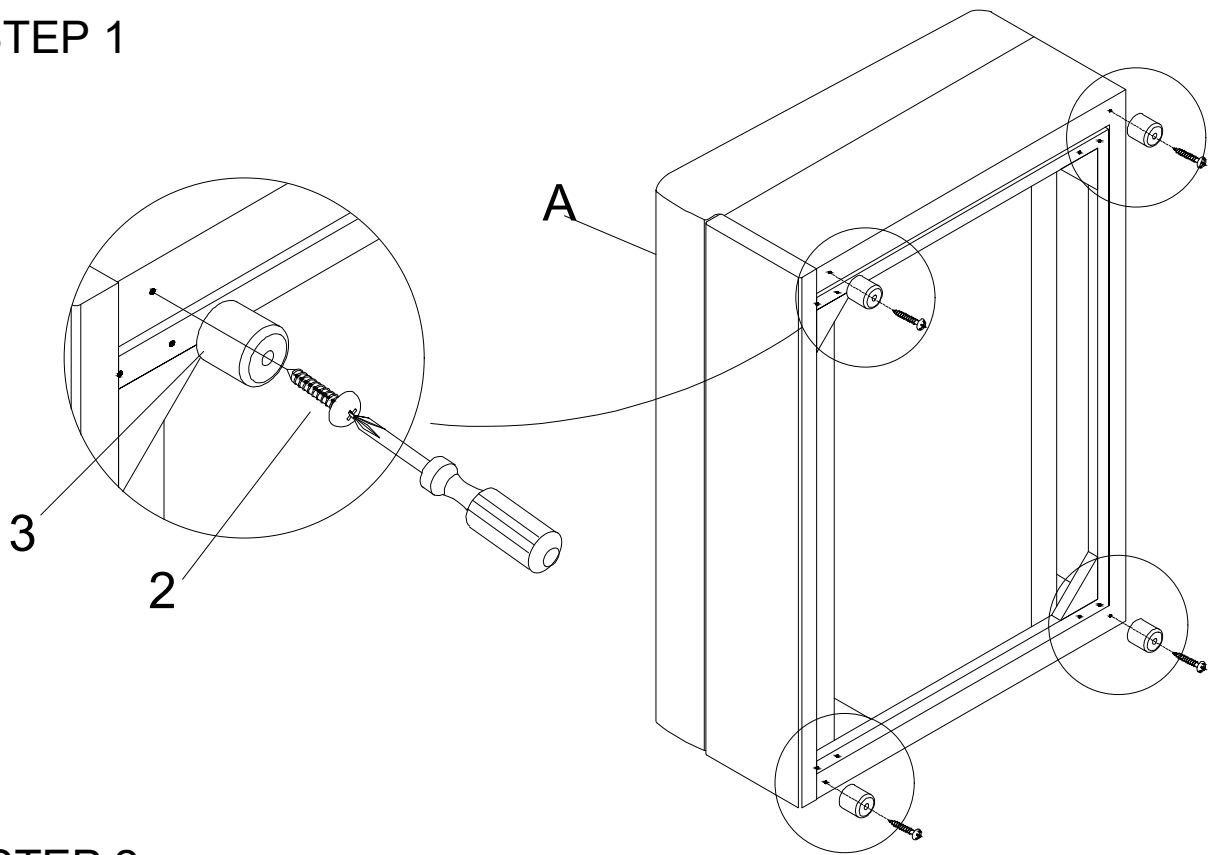
COMPONENT LIST

| NO | DRAWING | DESCRIPTIONS | QTY |
|----|---------|--------------|-------|
| A | | SEAT | 1 PC |
| B | | BACK REST | 1 PC |
| C | | BACK CUSHION | 2 PCS |

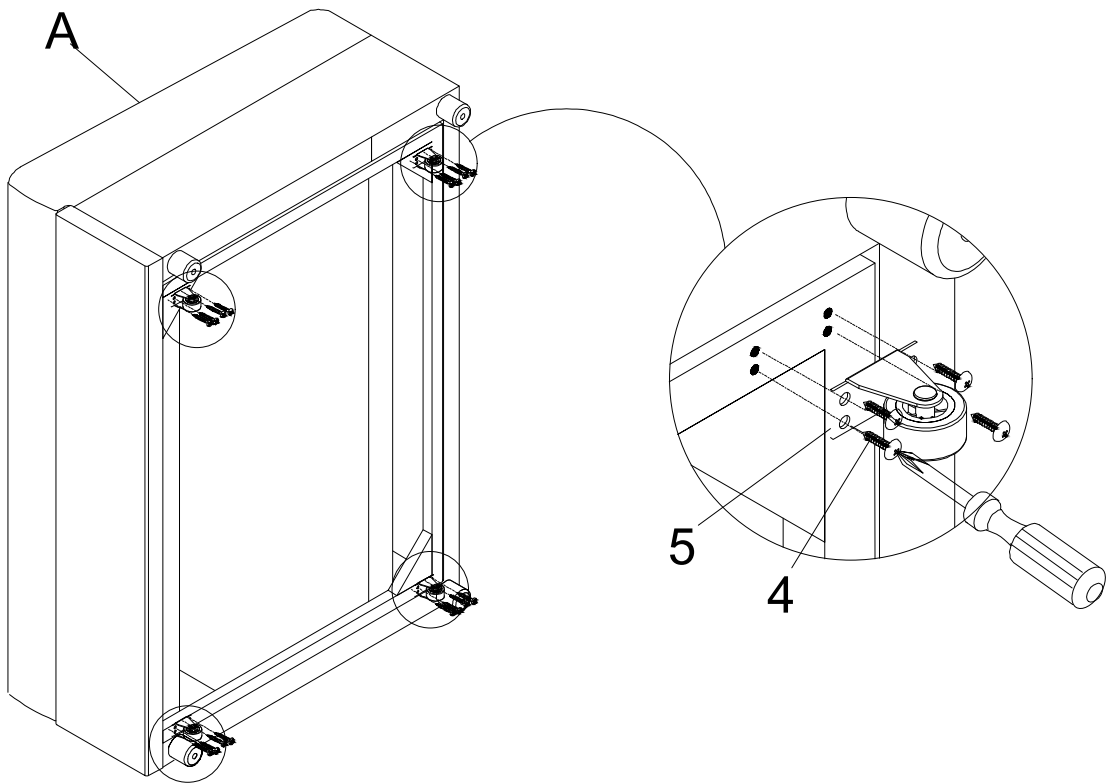
| NO | DRAWING | DESCRIPTIONS | QTY |
|----|---------|---|--------|
| 1 | | MAL BRACKET (6"x1-1/3") | 2 PCS |
| 2 | | SCREW (M4 x L 45mm) | 4 PCS |
| 3 | | ROUND PLASTIC FEET (Ø2" x H 2") | 4 PCS |
| 4 | | SCREW (M4 x L 25mm) | 16 PCS |
| 5 | | CASTOR | 4 PCS |
| | | SCREWDRIVER (This is not included the box) | |



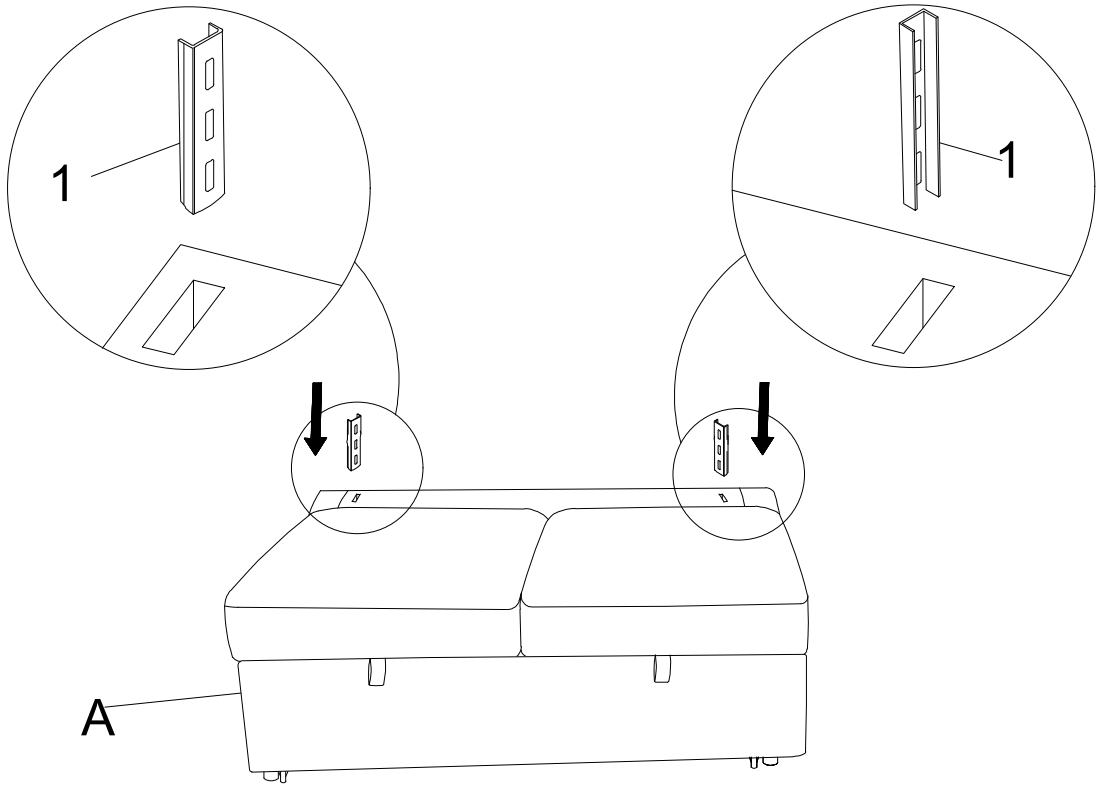
STEP 1



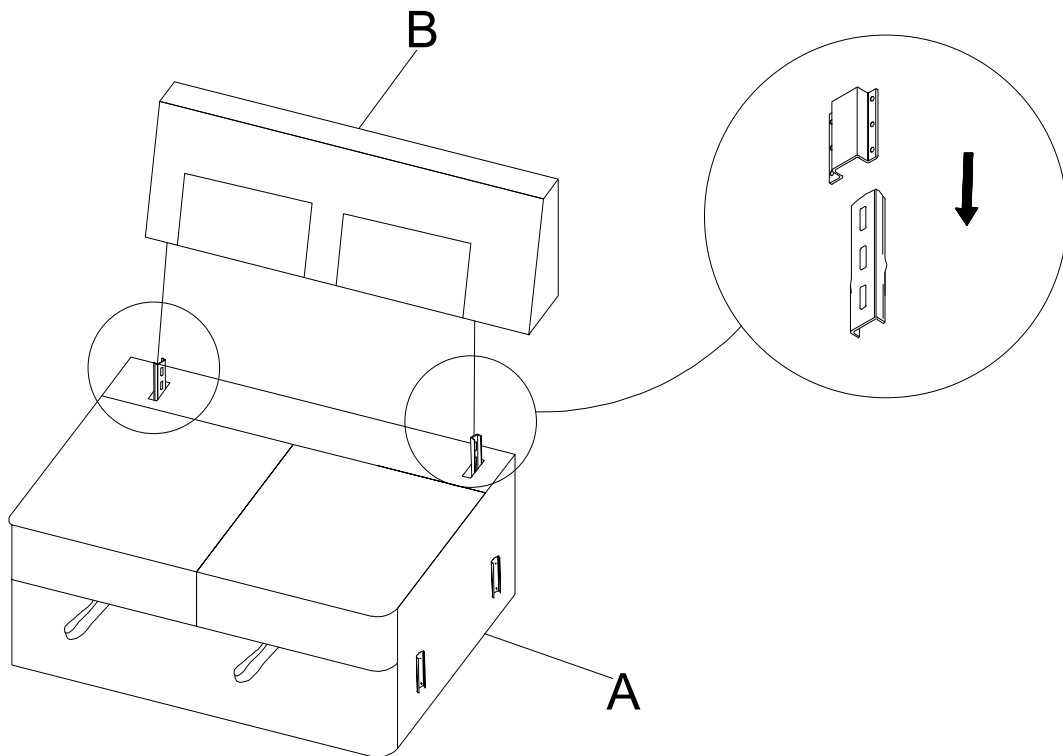
STEP 2



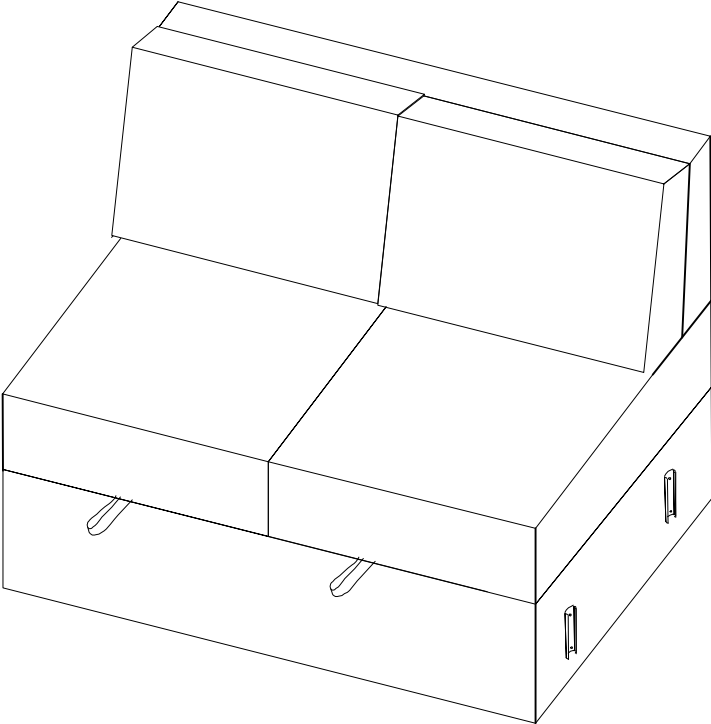
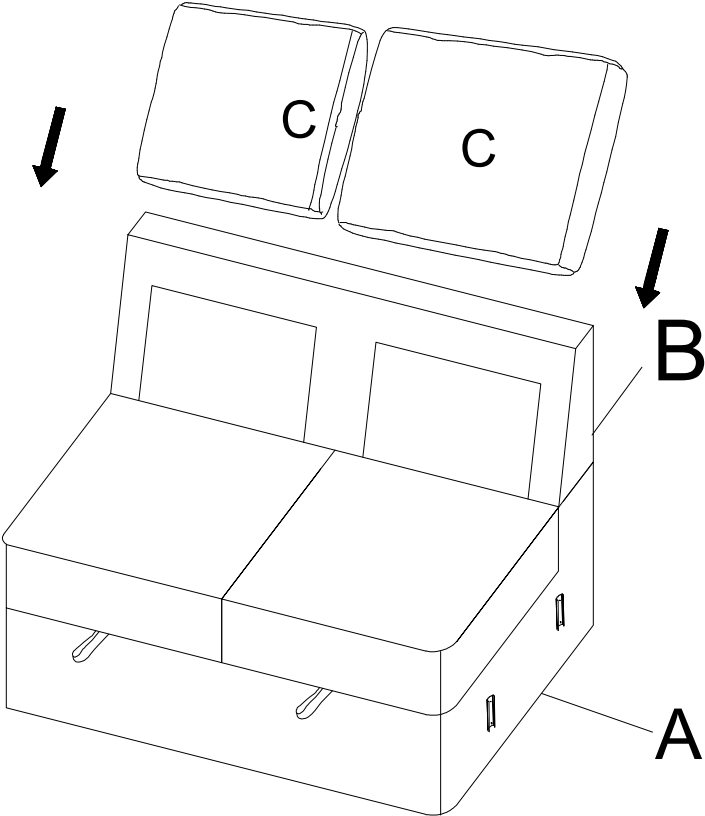
STEP 3



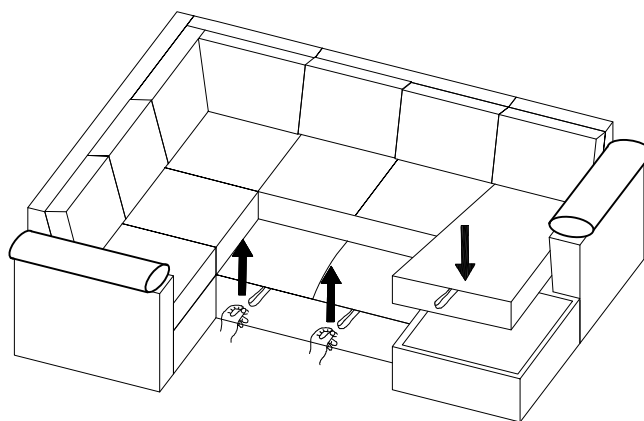
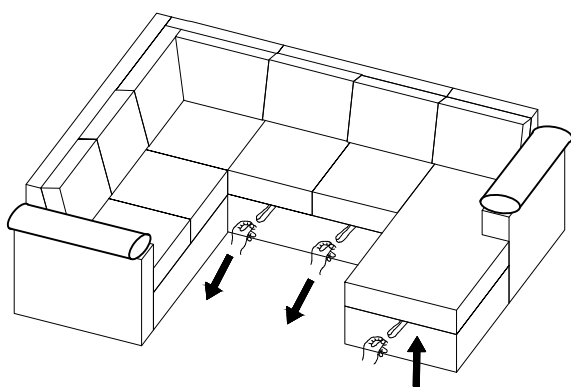
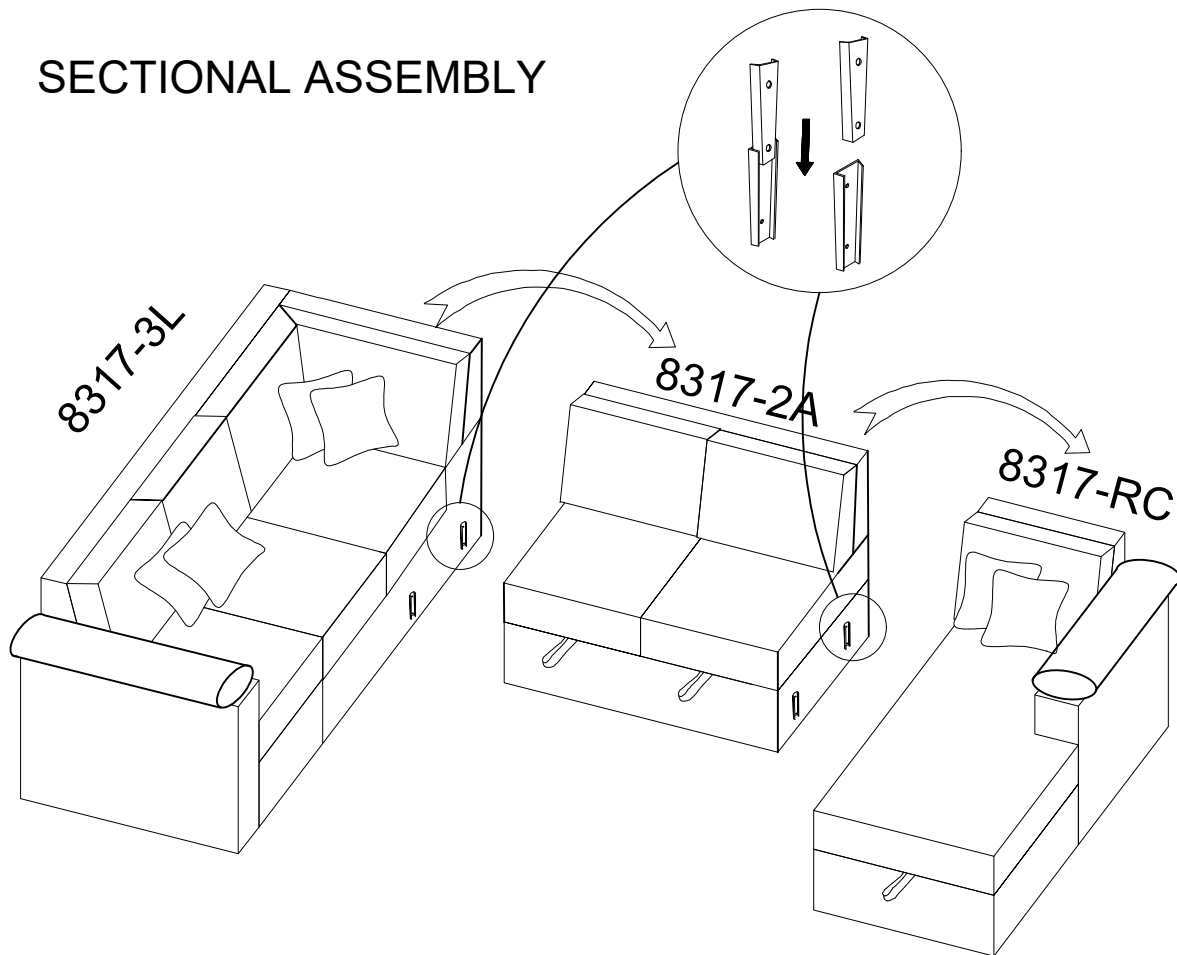
STEP 4



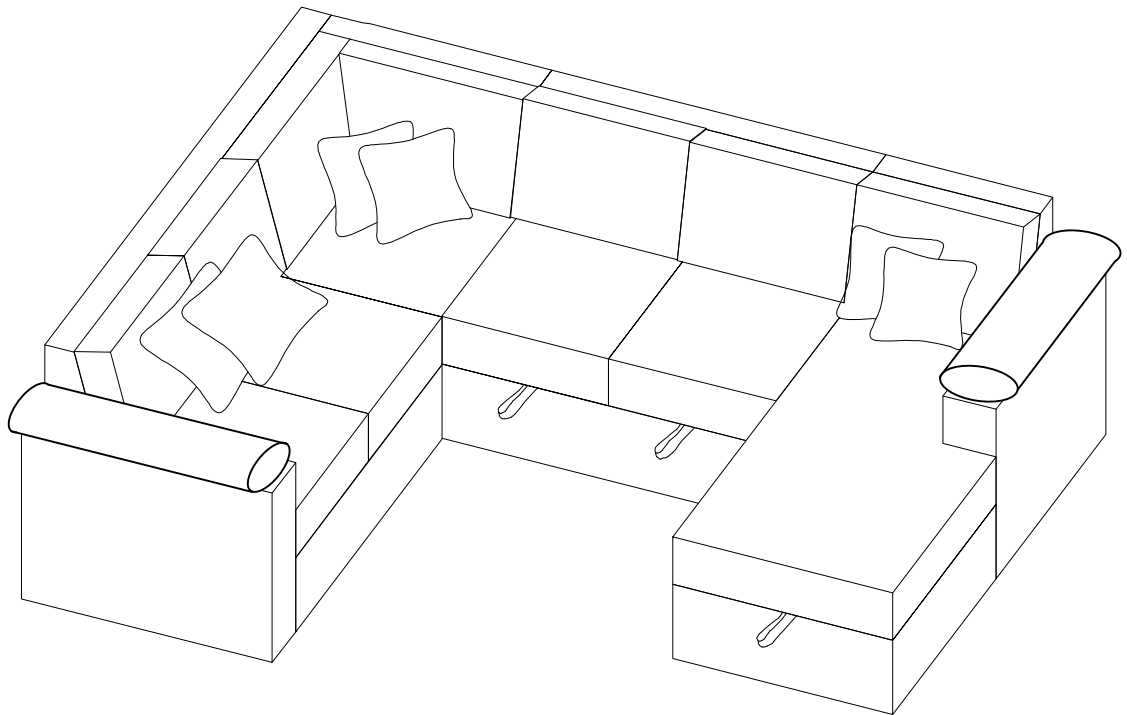
STEP 5



SECTIONAL ASSEMBLY



COMPLETED



Care Instruction for Corduroy Furniture:

In order to maintain the original appearance of your Corduroy, please follow below simple care procedures:

- . Avoid exposing furniture directly to sunlight or heating and air conditioning outlets. Sunlight and or exposure to heating and air conditioning outlets will fade/damage Corduroy.
- . Vacuum or wipe with a soft cloth to remove dust.
- . Hardware may loosen over time. Periodically check to make sure all connections are tight, Re-tighten if necessary.



For items use on wooden floor, hard surfaces or carpets, it is recommended to Install protective pads under all legs and supports to avoid/prevent from damages/scratches and discoloration.