



# ASSEMBLY INSTRUCTION

ITEM NO:8317WHT/DGY/BLK-3L

Left Side Corner Sofa (4 pillows)



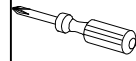
All K/D parts are stored underneath the seating. Legs & hardware are packed in the box. Please take out for assembly.

Note: Do not use power tools for assembly. Power tools increase the risk of over tightening which leads to splitting or cracking the wood.

## COMPONENT LIST

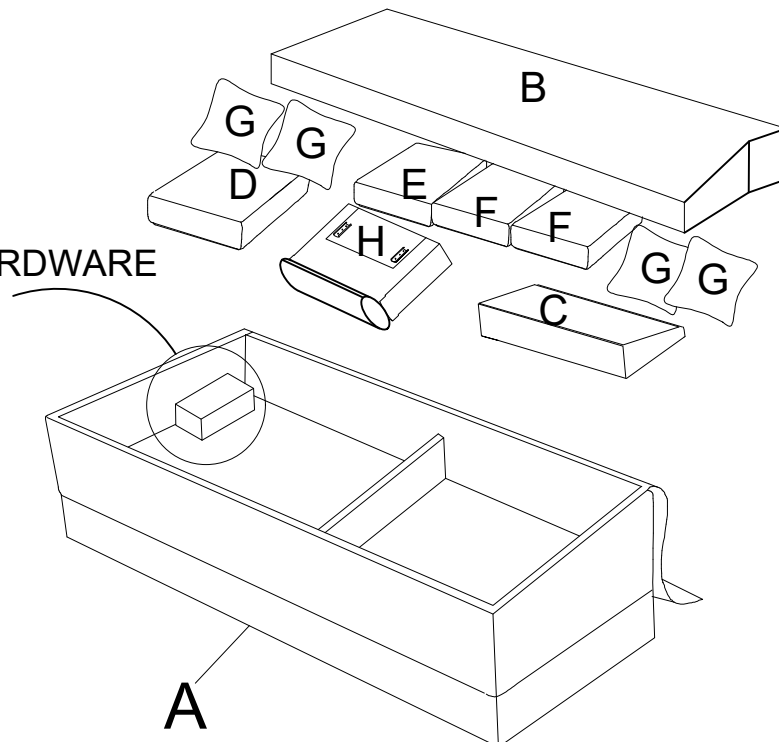
NO	DRAWING	DESCRIPTIONS	QTY
A		SEAT	1 PC
B		LONG BACKREST	1 PC
C		RSF SHORT BACKREST	1 PC
D		LONG BACK CUSHION	1 PC
E		RSF BACK CUSHION	1 PC
F		BACK CUSHION	2 PCS
G		SQUARE PILLOW (19"x 19")	4 PCS
H		LSF ARMREST	1 PC

NO	DRAWING	DESCRIPTIONS	QTY
1		MAL BRACKET (6"x1-1/3")	4 PCS
2		HEX NUT	2 PCS
3		SCREW (M4 x L 45mm)	8 PCS
4		WASHER	2 PCS
5		BOLT (Ø10mm x L 95mm)	2 PCS
6		ROUND PLASTIC FEET (Ø2" x H 2")	4 PCS
7		ALLEN WRENCH	1 PCS
8		RECTANGLE PLASTIC FEET (6" x 2" x H 2")	2 PCS

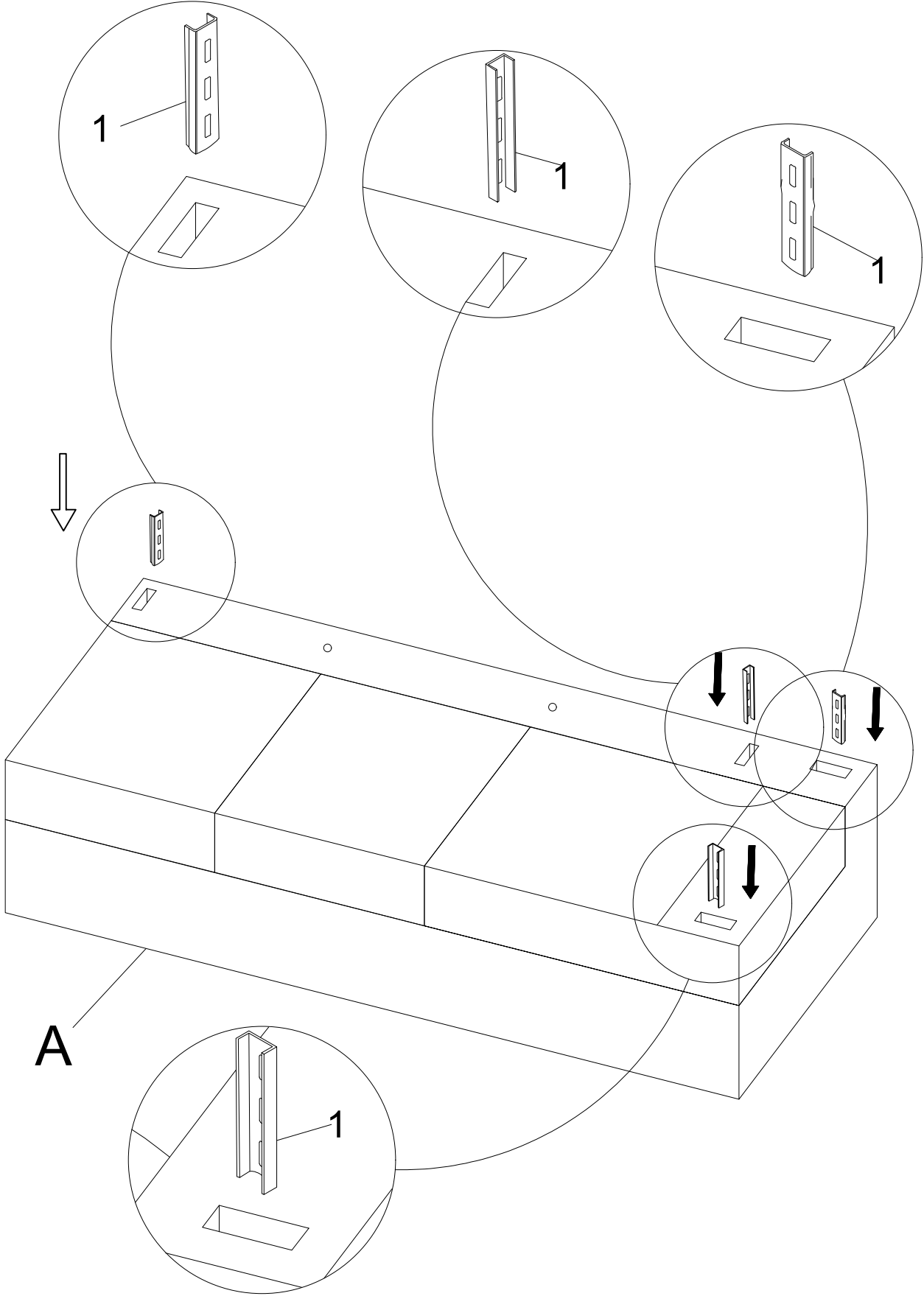


SCREWDRIVER  
( This is not included the box)

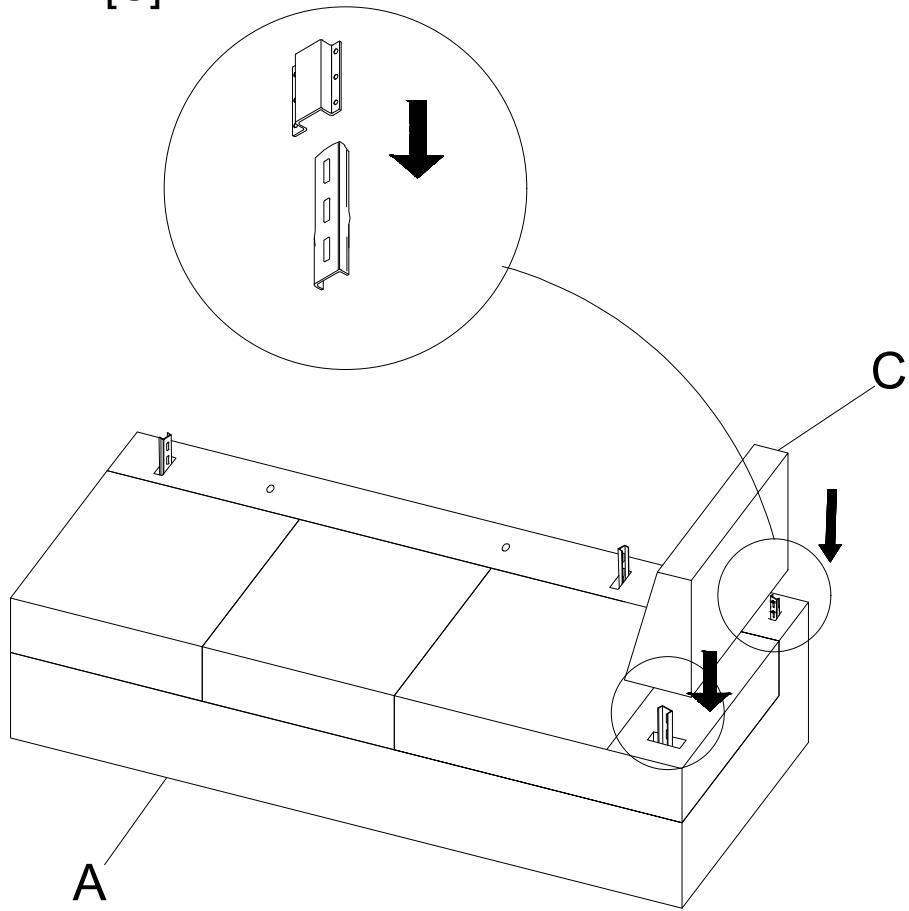
LEGS & HARDWARE



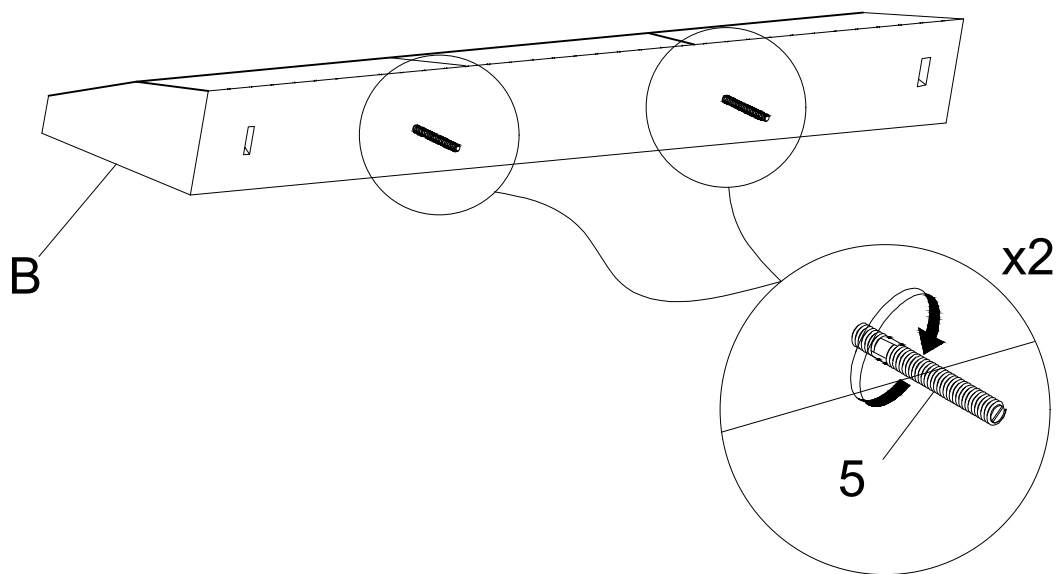
Step 1: Insert the stent into the hole.



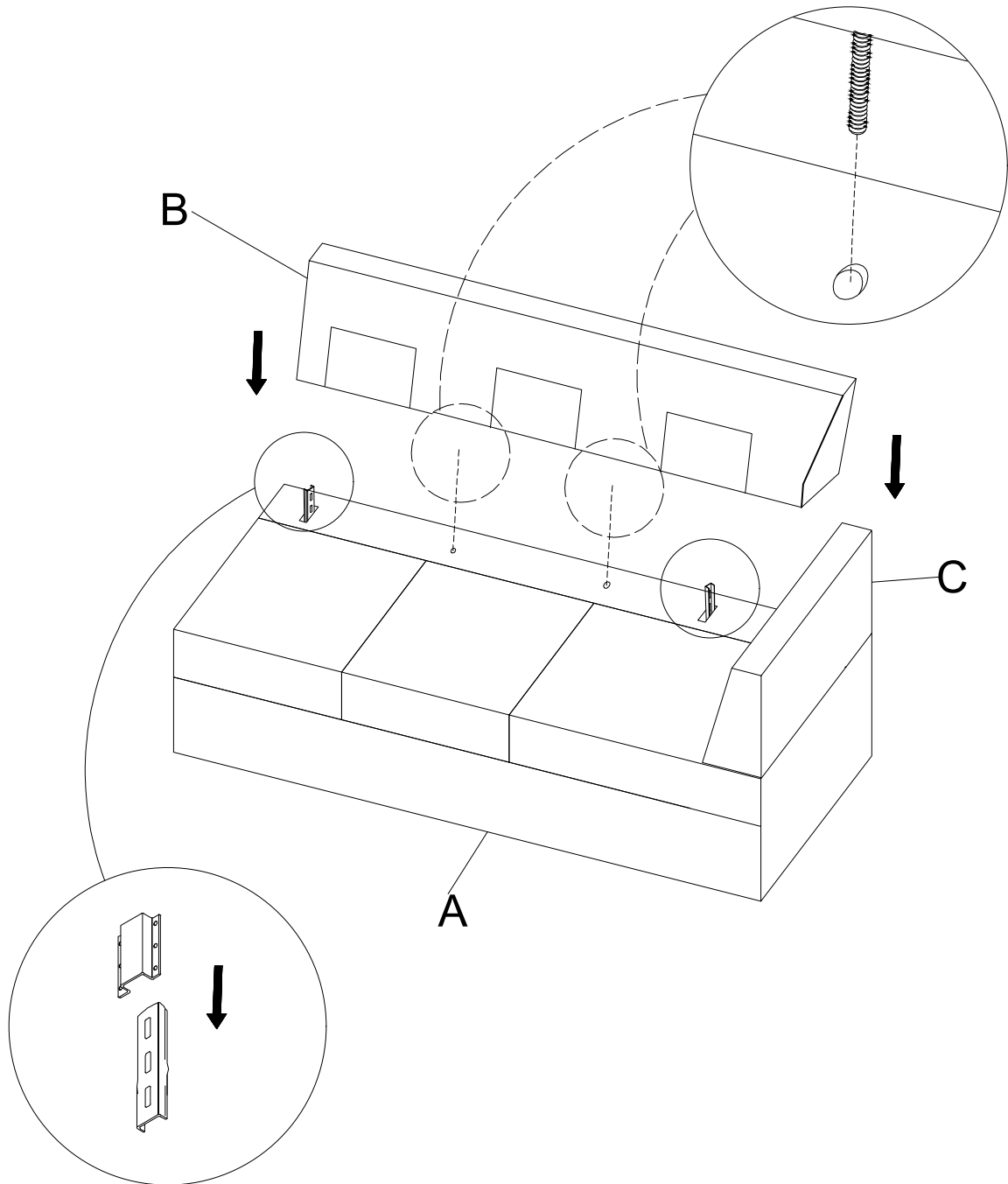
Step 2: Insert [C] backrest



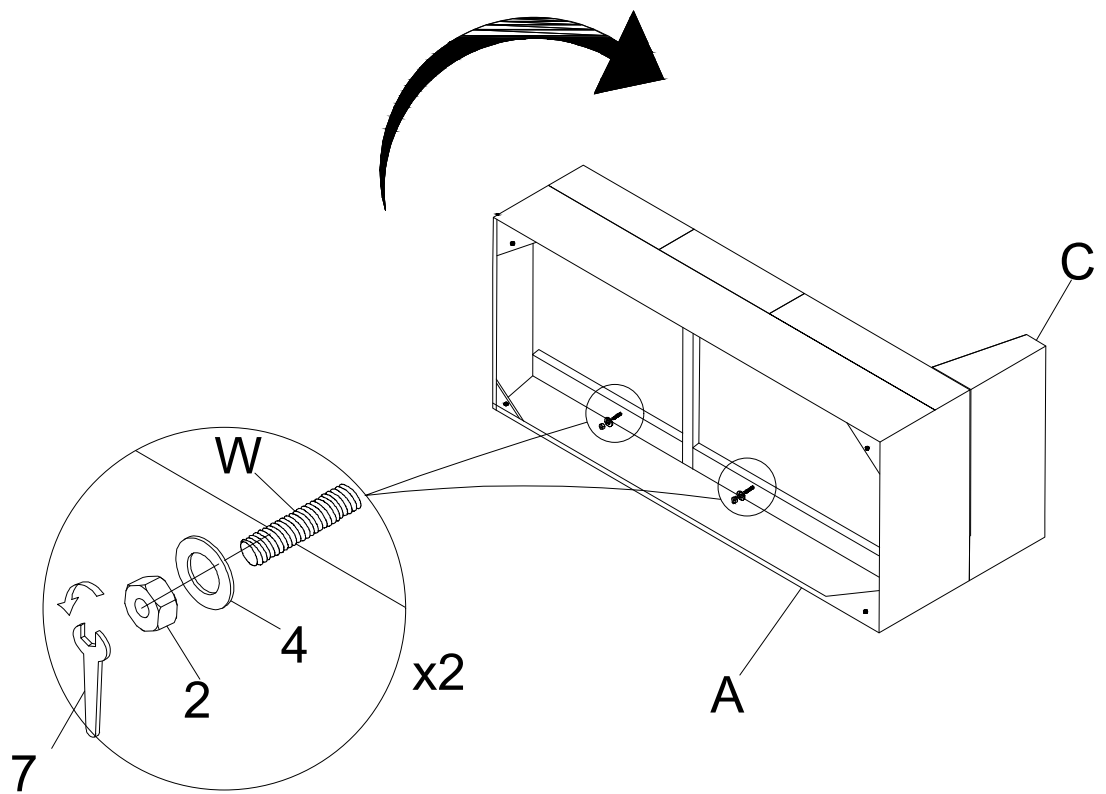
Step 3: Insert the bolt



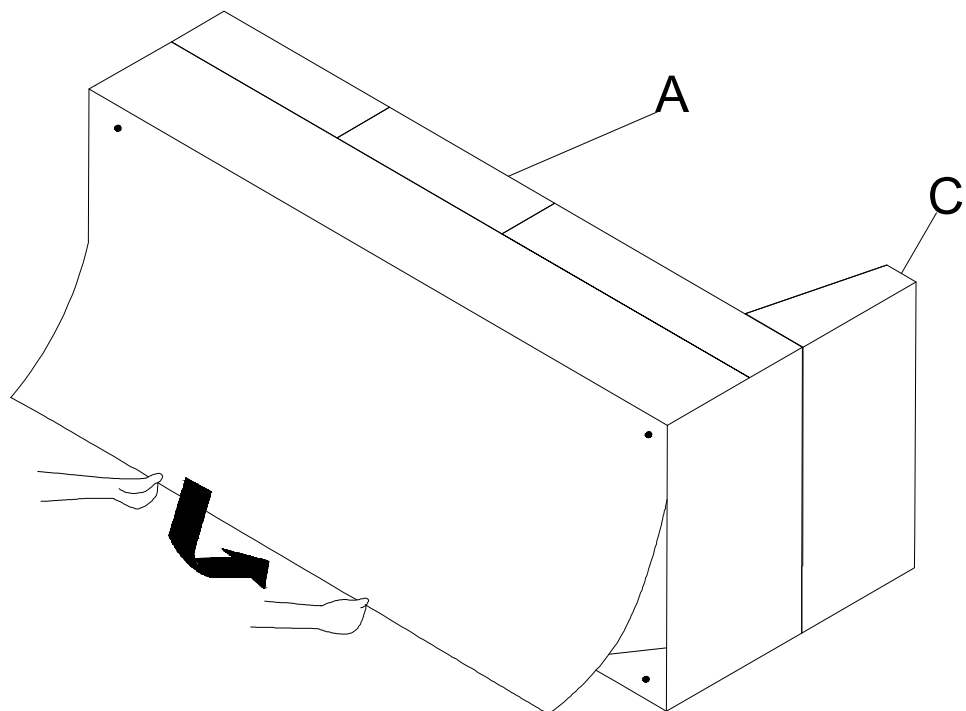
Step 4: Align the backrest with the holes and the bracket



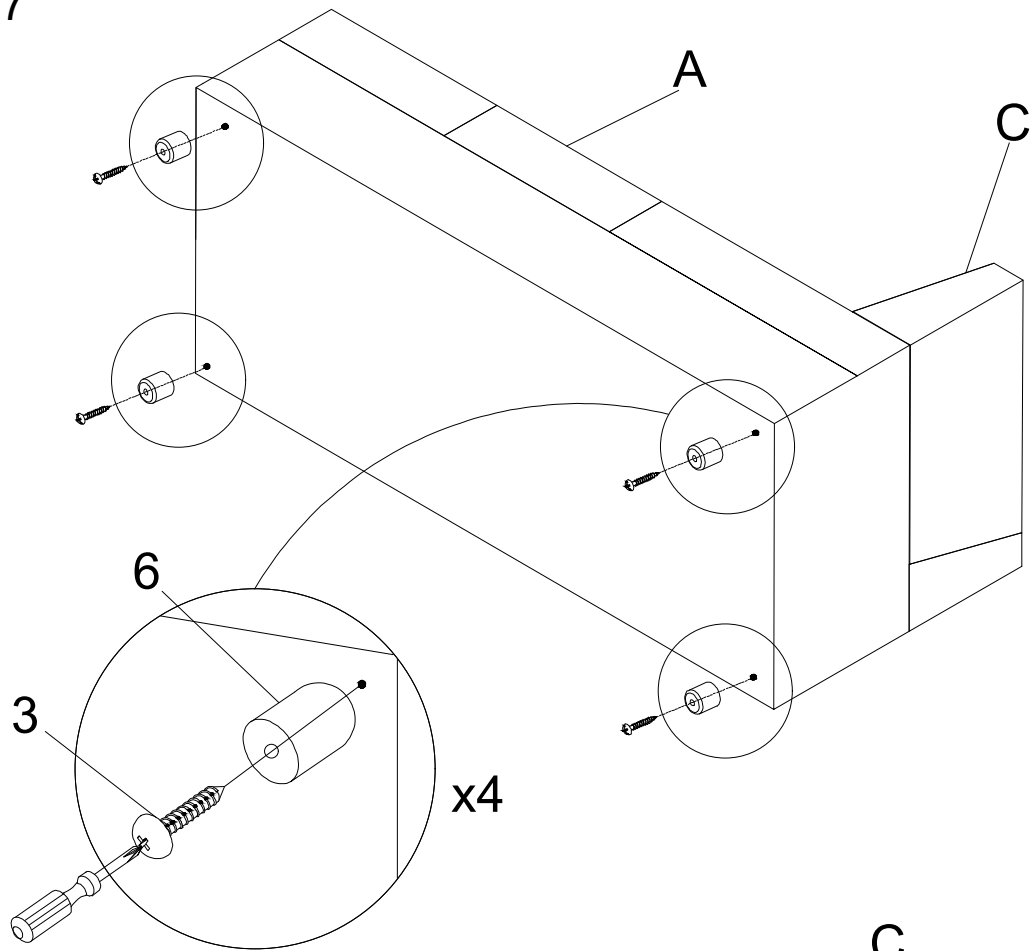
# STEP 5



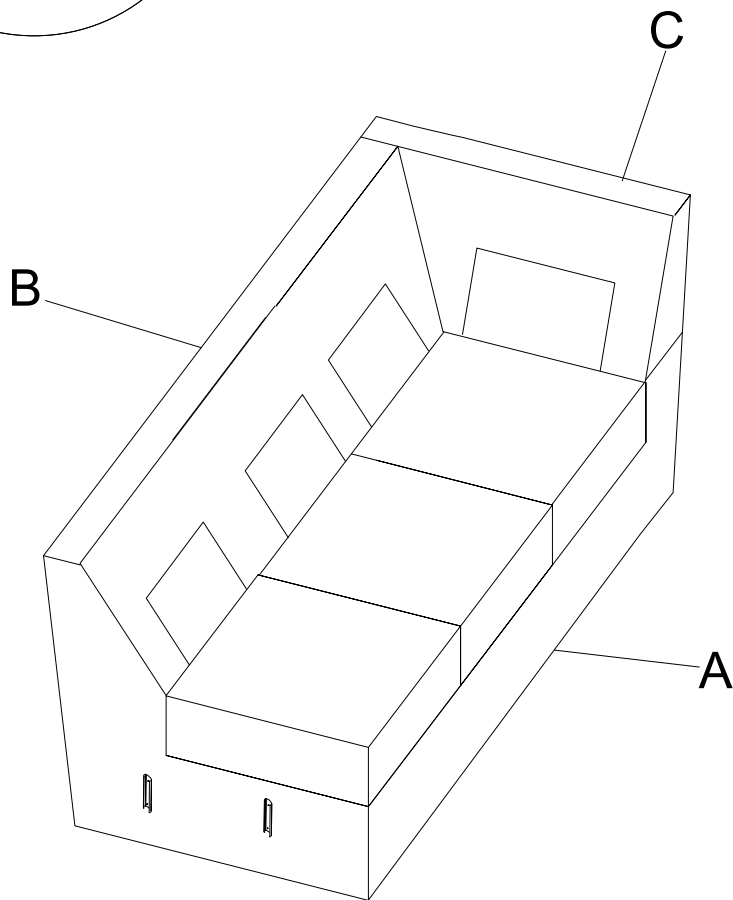
# STEP 6



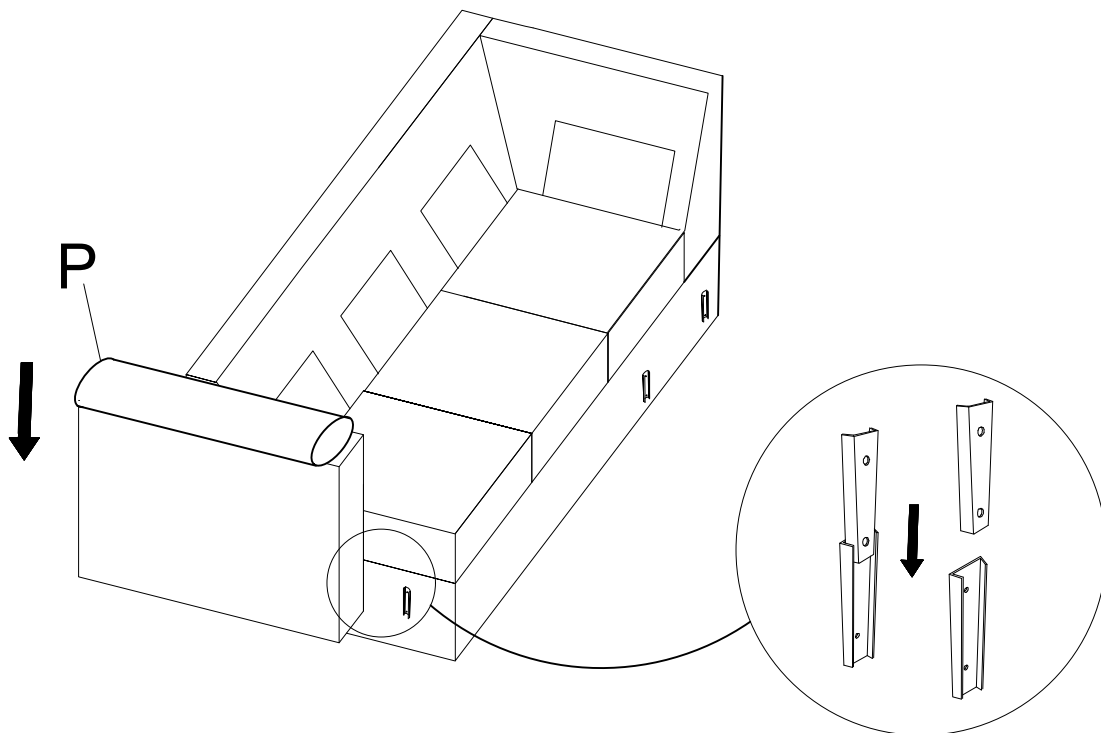
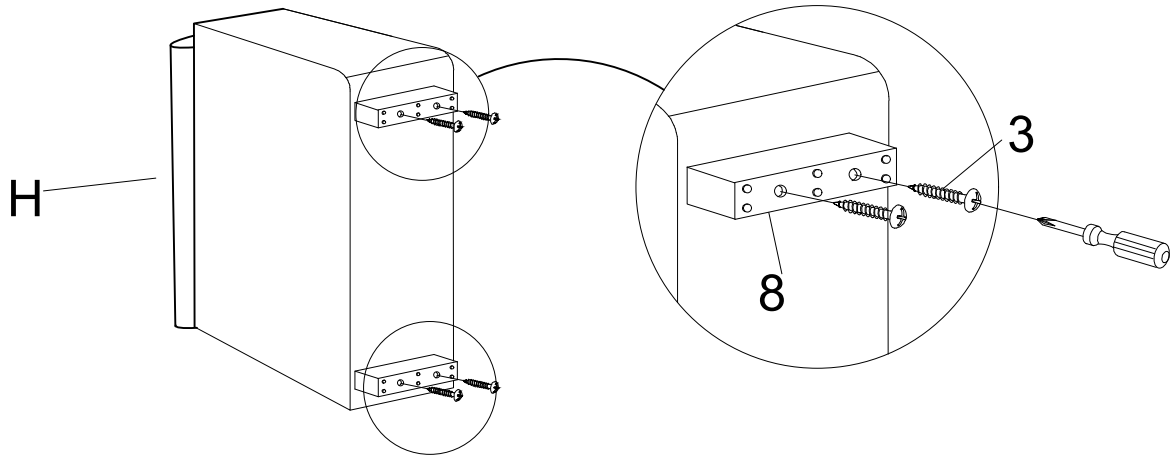
STEP 7

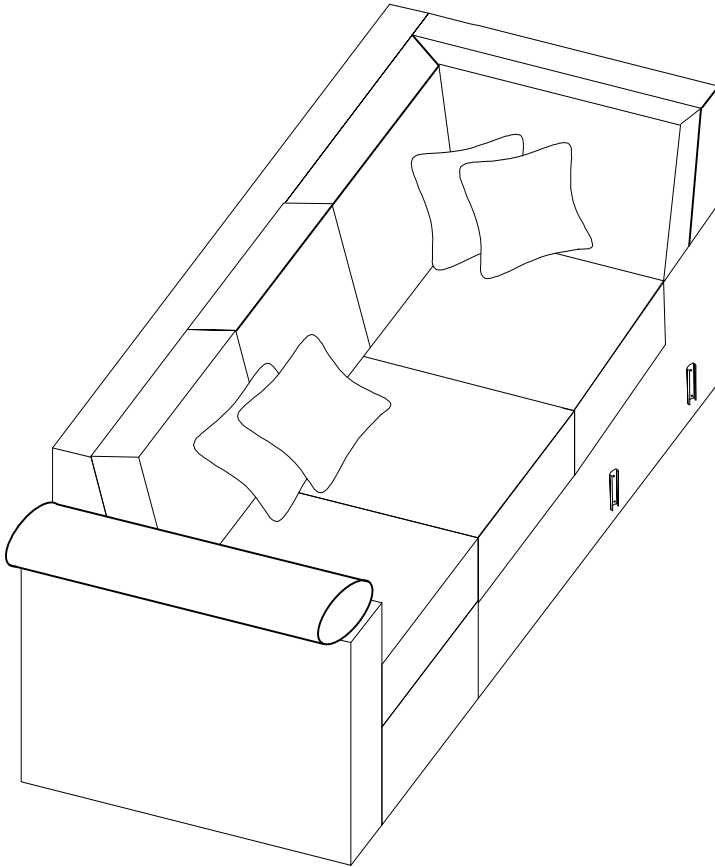
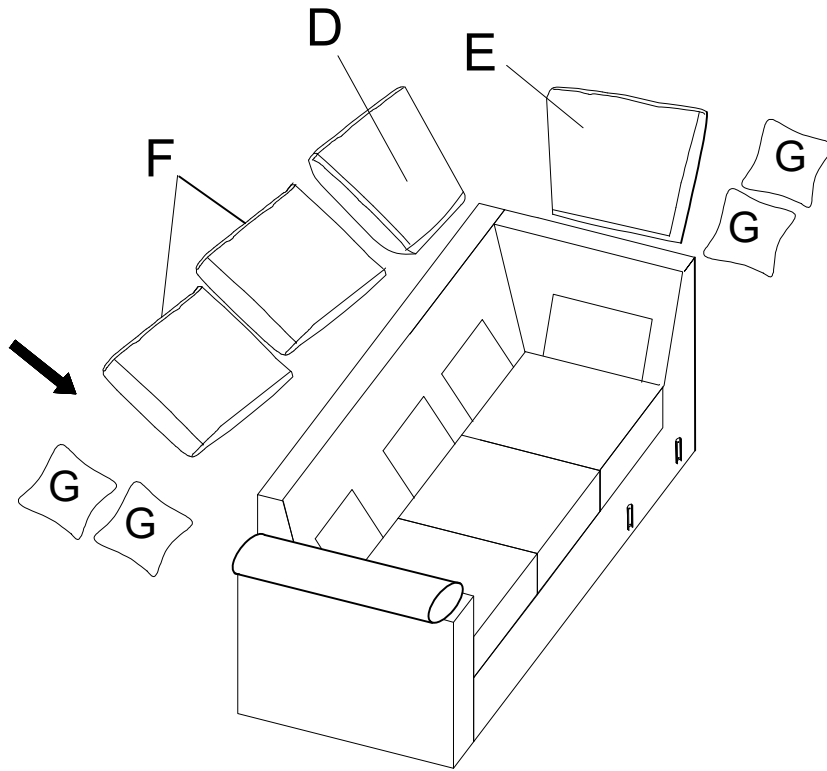


STEP 8

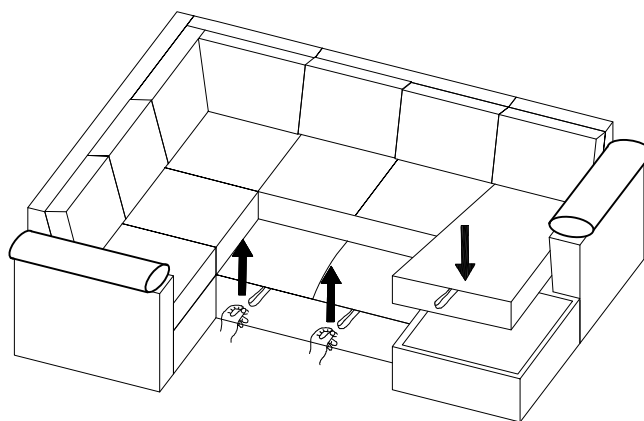
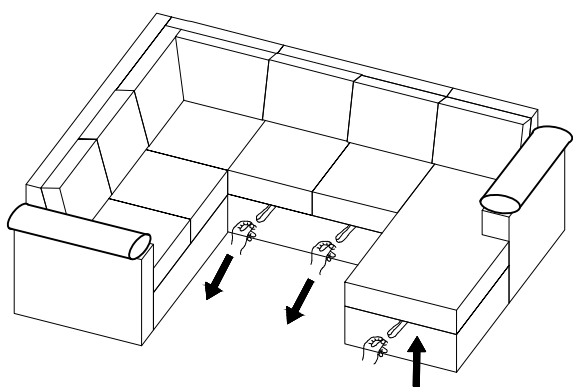
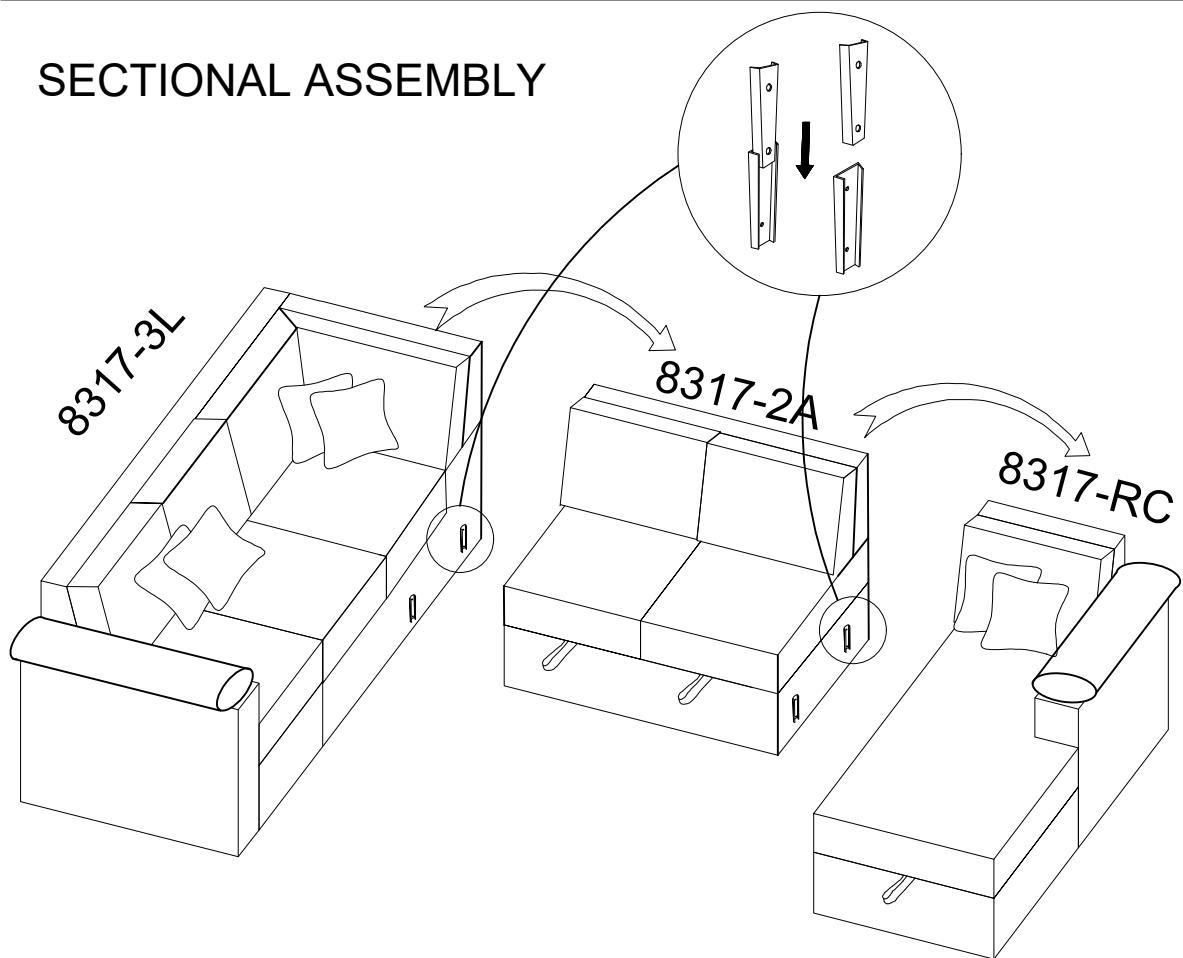


# STEP 9

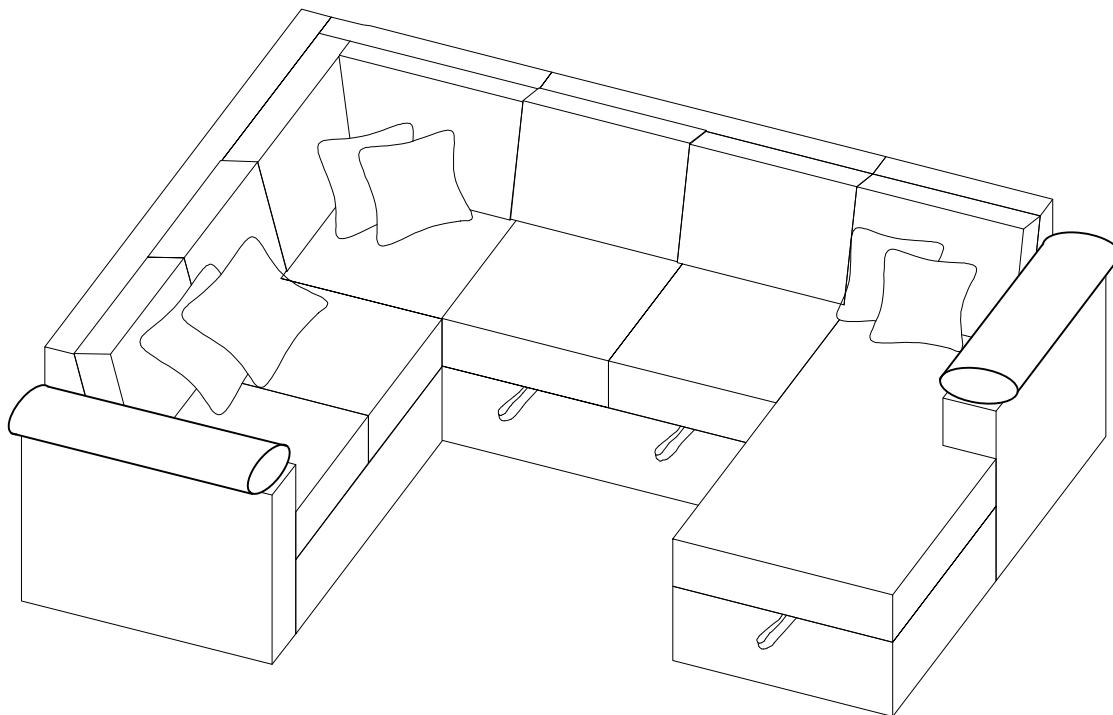




# SECTIONAL ASSEMBLY



## COMPLETED



### Care Instruction for Corduroy Furniture:

In order to maintain the original appearance of your Corduroy, please follow below simple care procedures:

- . Avoid exposing furniture directly to sunlight or heating and air conditioning outlets. Sunlight and or exposure to heating and air conditioning outlets will fade/damage Corduroy.
- . Vacuum or wipe with a soft cloth to remove dust.
- . Hardware may loosen over time. Periodically check to make sure all connections are tight, Re-tighten if necessary.



For items use on wooden floor, hard surfaces or carpets, it is recommended to Install protective pads under all legs and supports to avoid/prevent from damages/scratches and discoloration.