




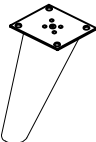

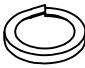


Assembly Instruction

ITEM NO.: 8428BE-1

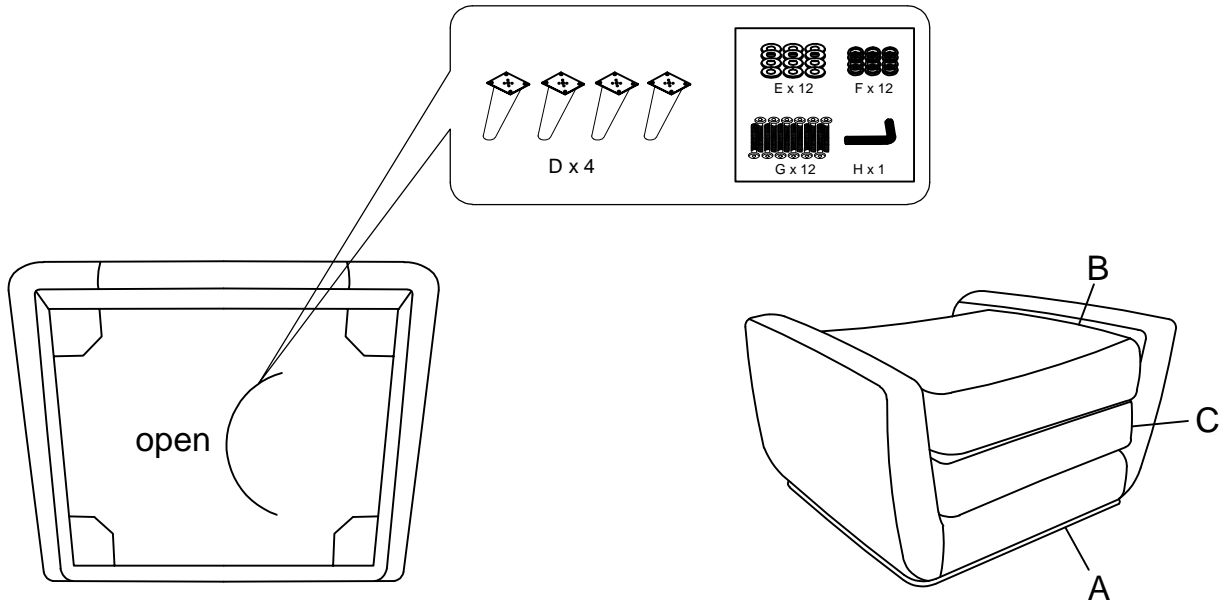
CHAIR

Note: Do not use power tools for assembly. Power tools increase the risk of over tightening which lead to splitting or cracking the wood.

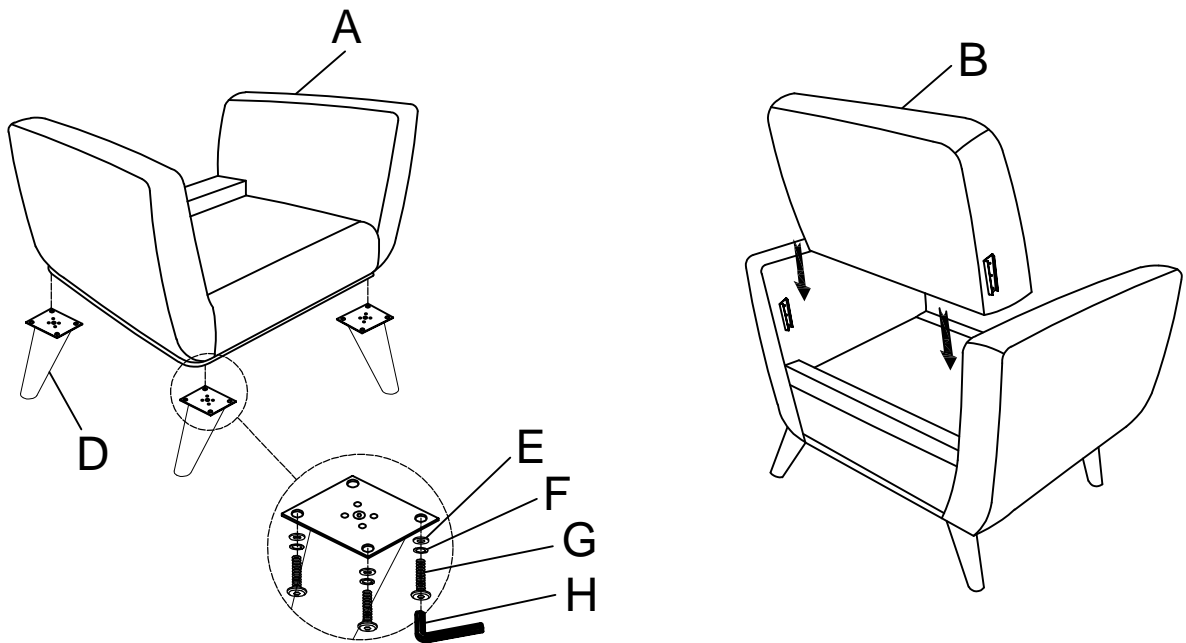
Component list

No	Drawing	Qty	Description
A		1	SEAT
B		1	BACK
C		1	SEAT CUSHION
D		4	WOODEN LEG (70*155H)
E		12	FLAT WASHER (1/4"*16*1.5MM)
F		12	SPRING WASHER (1/4")
G		12	BOLT (1/4"*35MM)
H		1	ALLEN KEY (M4*50*100MM)

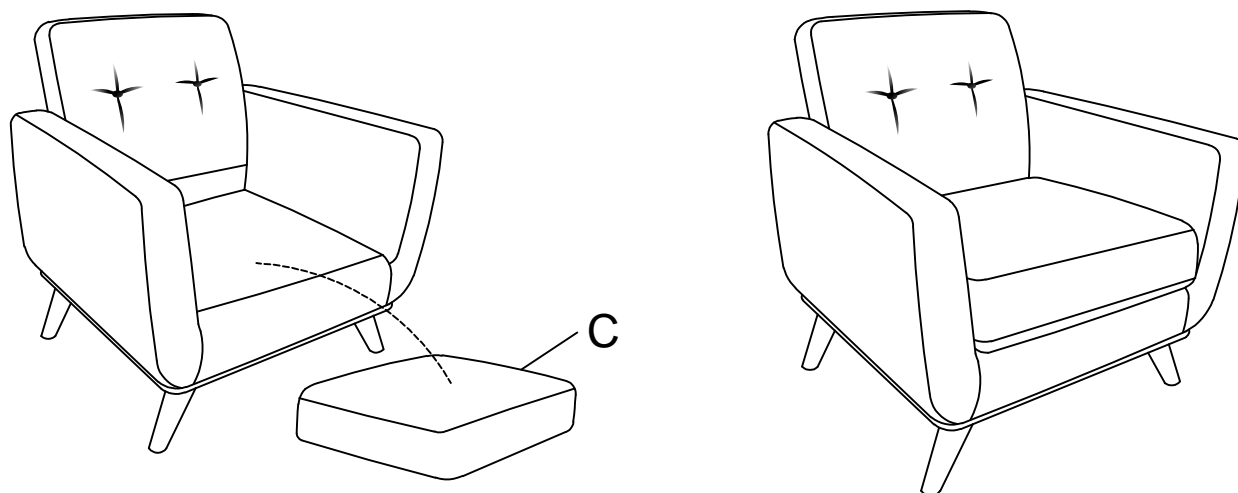
Step #1



Step #2



Step #3



Care Instruction for Textured Fabric Furniture:

In order to maintain the original appearance of your Textured Fabric Furniture, please follow below simple care procedures:

- Avoid exposing furniture directly to sunlight or heating and air conditioning outlets. Sunlight and or exposure to heating and air conditioning outlets will fade/damage Textured Fabric .
- Vacuum or wipe with a soft cloth to remove dust.
- Hardware may loosen over time. Periodically check to make sure all connection are tight, Re-tighten if necessary.



For items use on wooden floor, hard surfaces or carpets, it is recommended to Install protective pads under all legs and supports to avoid/prevent from damages/scratches and discoloration.