



# ASSEMBLY INSTRUCTION

ITEM NO.:8555BE/GB/GY/BK -1SW



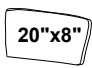
SWIVEL GLIDER RECLINING CHAIR WITH 2 PILLOWS



NOTE: Do not use power tools for assembly. Power tools increase the risk of over tightening which lead to splitting or cracking the wood.

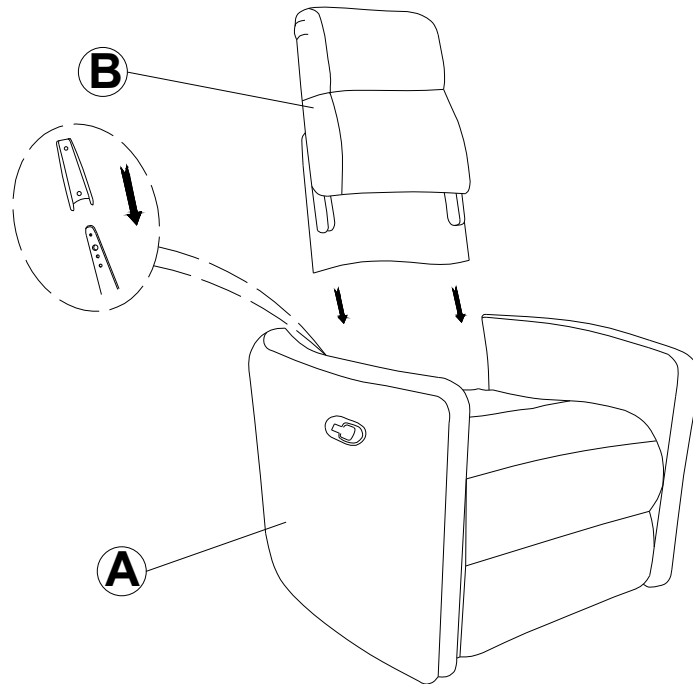


## PART LIST

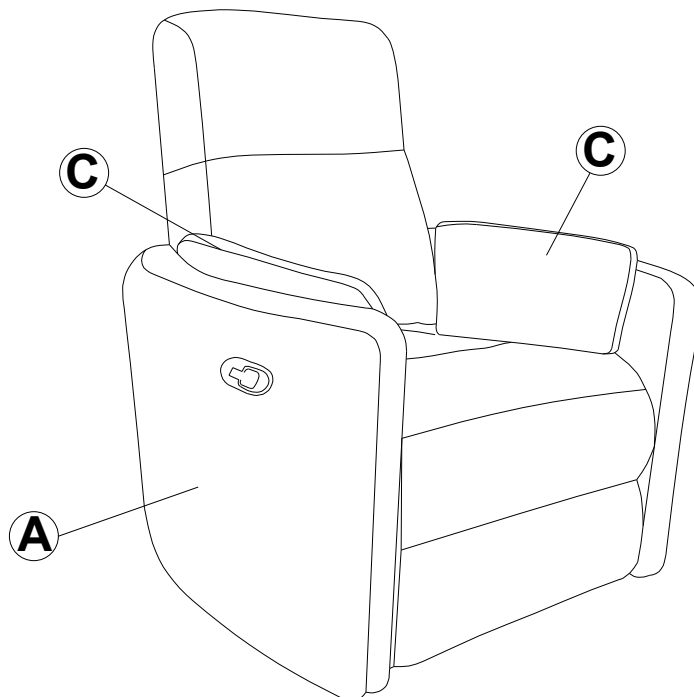
No.	Description	Diagram	Quantity
<b>A</b>	Seat		1
<b>B</b>	Backrest		1
<b>C</b>	Pillow		2

# ASSEMBLY INSTRUCTION

**Step 1 Important:**  
1.Attach Backrest (B) to the Chair (A).



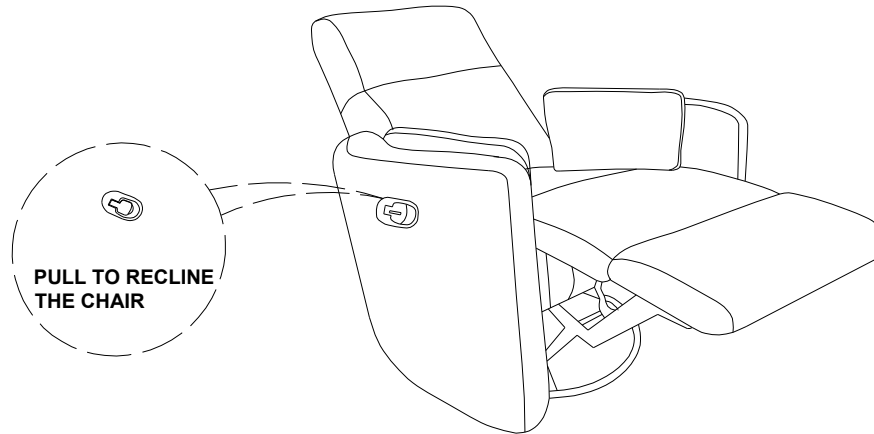
**Step 2 Important:**  
1.Attach Pillow (C) to the Chair (A).



# ASSEMBLY INSTRUCTION

## Step 3 Important:

1. Open the Footrest by pulling out the Switch



## Step 4 Important:

1. Complete assembly.



## Care Instruction for Corduroy Furniture:

In order to maintain the original appearance of your Corduroy furniture, please follow below simple care procedures:

Avoid exposing furniture directly to sunlight or heating and air conditioning outlets. Sunlight and or exposure to heating and air conditioning outlets will fade/damage Corduroy.

Vacuum or wipe with a soft cloth to remove dust.

Hardware may loosen over time. Periodically check to make sure all connection are tight, Re-tighten if necessary.

For item use on wooden floor, hard surfaces or carpets, it is recommended to install protective pads under all legs and supports to avoid/prevent from damages/scratches and discoloration.