



Assembly Instruction

ITEM NO.:9327BK-5

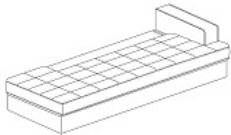
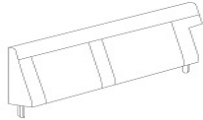

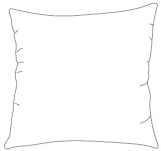
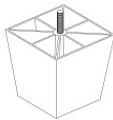
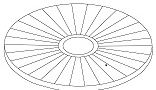
CHAISE



Legs & hardware are stored at the bottom of seat, please take out the legs and hardware for assembly.

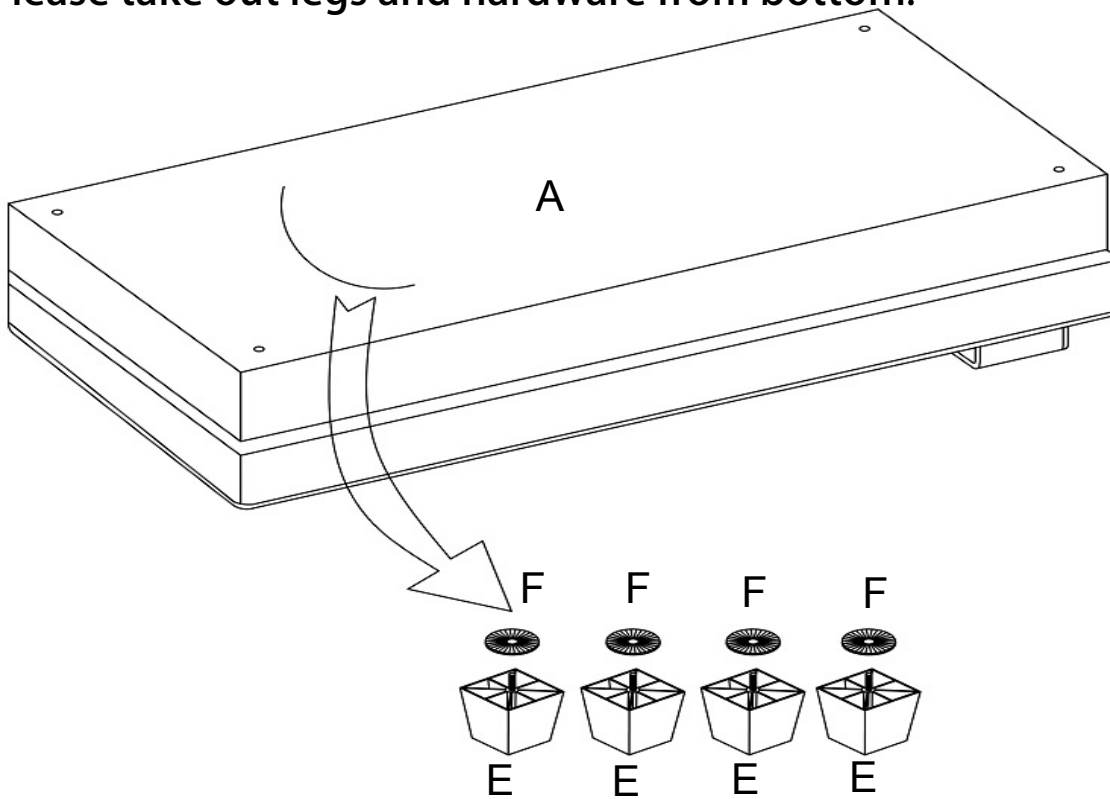
Note: Do not use power tools for assembly. Power tools increase the risk of over tightening which lead to splitting or cracking the wood.

Component list

| No | Drawing | Qty | Description |
|----|---|-----|---|
| A |  | 1 | SEAT |
| B |  | 1 | BACK REST |
| C |  | 2 | BACK CUSHION |
| D |  | 1 | PILLOW |
| E |  | 4 | PLASTIC LEGS |
| F |  | 4 | PLASTIC WASHER (\varnothing 1.89") |

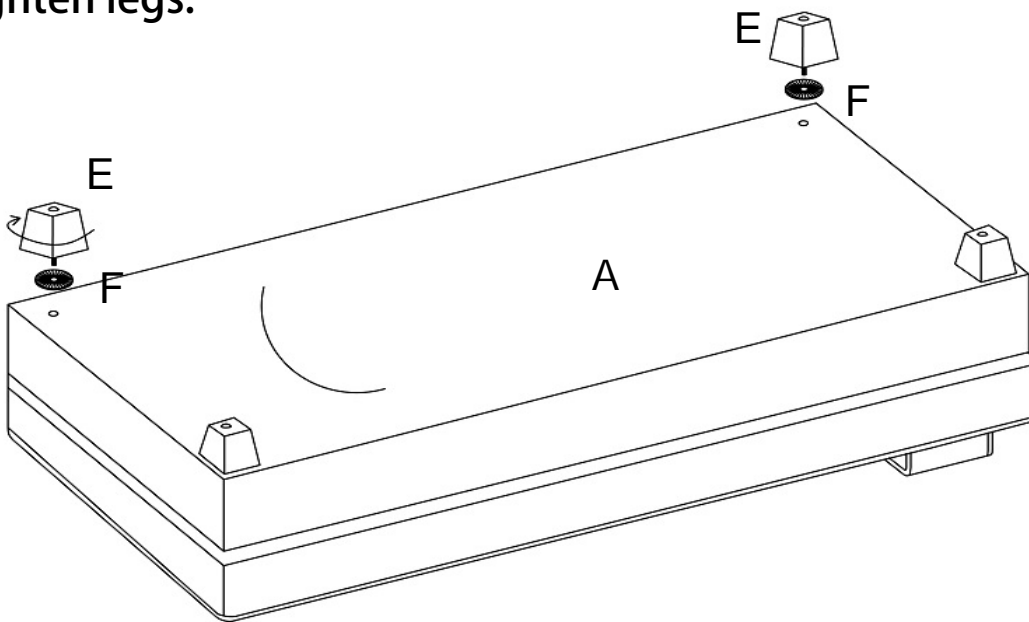
Step #1

Please take out legs and hardware from bottom.

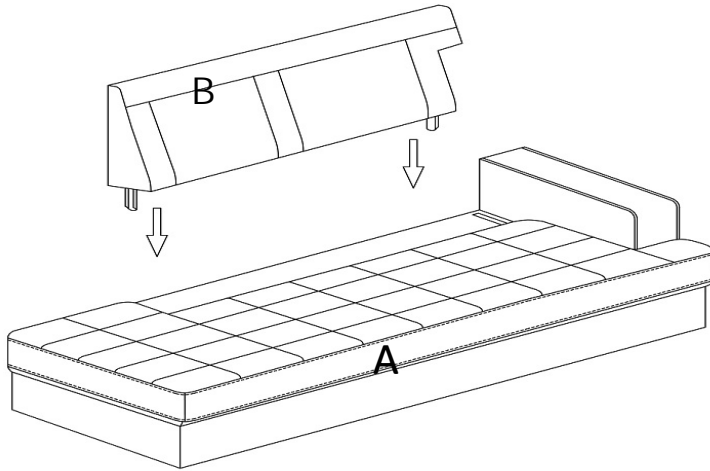


Step #2

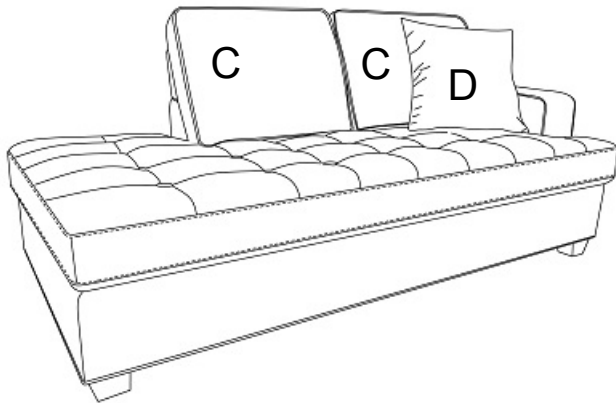
Place washer on the top of the legs, rotate to tighten legs.



Step#3
Align and insert back rest to the seat.



Step #4 Completed



Care Instruction for Linen-Like Furniture:

In order to maintain the original appearance of your linen-like Furniture, please follow below simple care procedures:

- Avoid exposing furniture directly to sunlight or heating and air conditioning outlets. Sunlight and or exposure to heating and air conditioning outlets will fade/damage linen-like.
- Vacuum or wipe with a soft cloth to remove dust.



For items use on wooden floor, hard surfaces or carpets, it is recommended to install protective pads under all legs and supports to avoid/prevent from damages/scratches and discoloration.