

Assembly Instruction

ITEM NO.: 9330DG-2


LOVESEAT



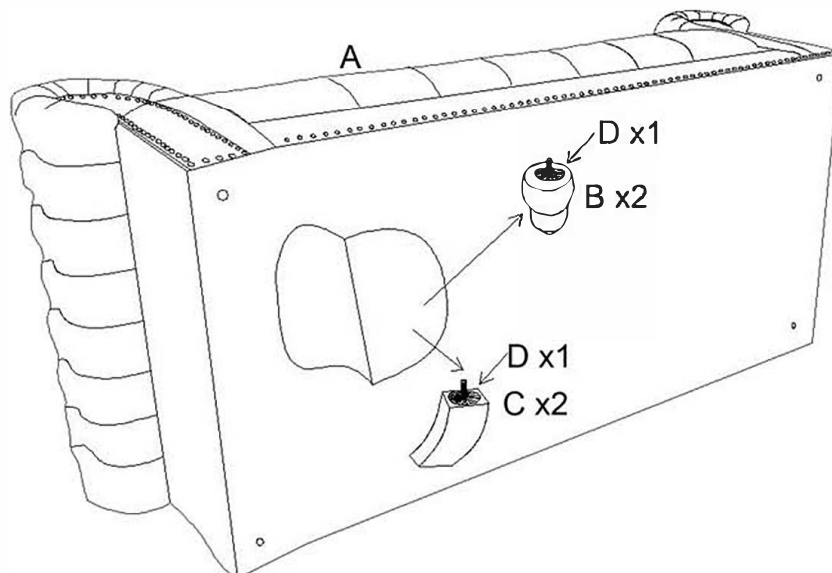
Legs & hardware are stored at the bottom of seat , please take out the legs and hardware for assembly.

Note: Do not use power tools for assembly. Power tools increase the risk of over tightening which lead to splitting or cracking the wood.

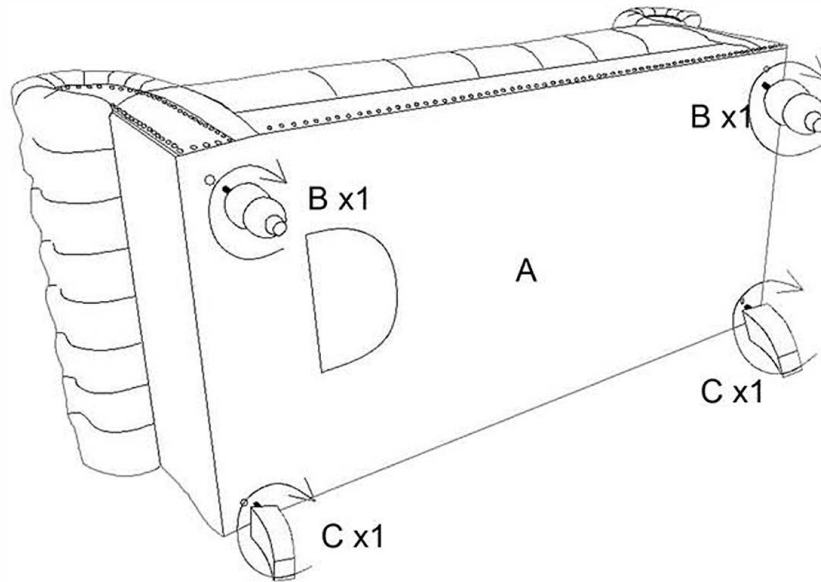
Component list

No	Drawing	Qty	Description
A		1	Seat
B		2	Front Wooden Legs 6.1 "*"3.35"*3.35"
C		2	Rear Wooden Legs 5.31"*2.56"/2.24"*1.97"
D		4	Plastic Gasket Φ 1.9

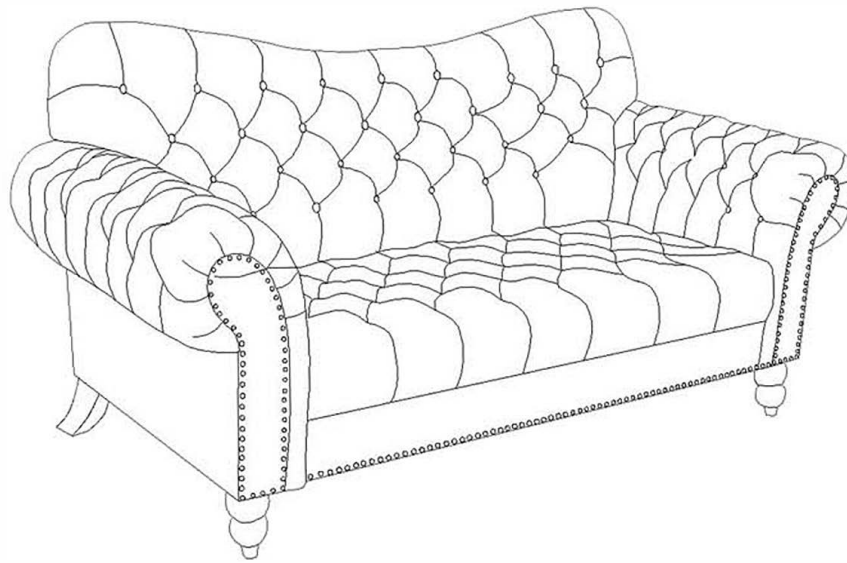
Step #1



Step #2



Step #3



Care Instruction for Velvet Furniture:

In order to maintain the original appearance of your velvet Furniture, please follow below simple care procedures:

- Avoid exposing furniture directly to sunlight or heating and air conditioning outlets. Sunlight and or exposure to heating and air conditioning outlets will fade/damage velvet .
- Vacuum or wipe with a soft cloth to remove dust.



For items use on wooden floor, hard surfaces or carpets, it is recommended to Install protective pads under all legs and supports to avoid/prevent from damages/scratches and discoloration.