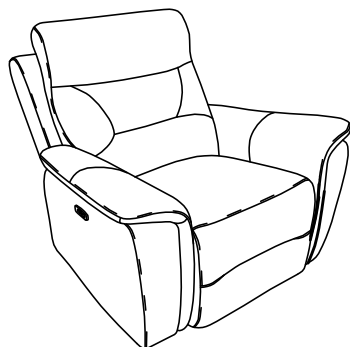




ASSEMBLY INSTRUCTIONS INSTRUCTIONS D'ASSEMBLAGE

9445BR -1PWH

Power Reclining Chair with Power Headrest & USB Port



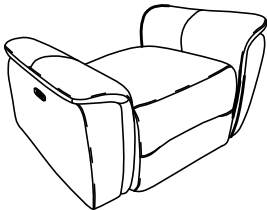

Thank you for purchasing the product. Please take time to read and follow the instruction below. Check that you have all parts and hardware before assembly. Parts apparently missing are often found in the packing materials. If you do not have all the parts listed, have your dealer contact us and they will be sent to you immediately.

Merci d'avoir acheté ce produit. Veuillez lire et suivre les instructions ci-dessous. Vérifiez avant le montage que vous avez toutes les pièces et fixations. Les pièces qui semblent manquer se trouvent souvent dans les matériaux d'emballage. Si vous n'avez pas toutes les pièces de la liste, demandez à votre détaillant et nous vous les enverrons immédiatement.




⚠ It is recommended to install protective pads under all legs and supports to avoid damage or scratches when placing furniture on a wood floor or other hard surface, and to limit indentation and prevent discoloration if placing on carpet.

⚠ Il est recommandé de placer des coussins protecteurs sous tous les pieds et toutes les bases des meubles pour éviter d'endommager ou d'égratigner les planchers en bois ou autres surfaces dures, et pour limiter l'empreinte et empêcher la décoloration quand les meubles reposent sur la moquette.

PARTS LIST/ LISTE DE PIÈCES

NO/N°	DRAWING/DESSIN	QTY/QTÉ	DESCRIPTION
A		1	SEAT
B		1	BACK REST

HARDWARE LIST/ LISTE DE QUINCAILLERIE

NO/N°	Sketch/Dessin	QTY/QTÉ	Description
1		1	Cable
2		1	Plug
3		1	Adaptor

**ABOVE HARDWARE ARE PACKED IN 9445BR-1PWH FOR ASSEMBLY.

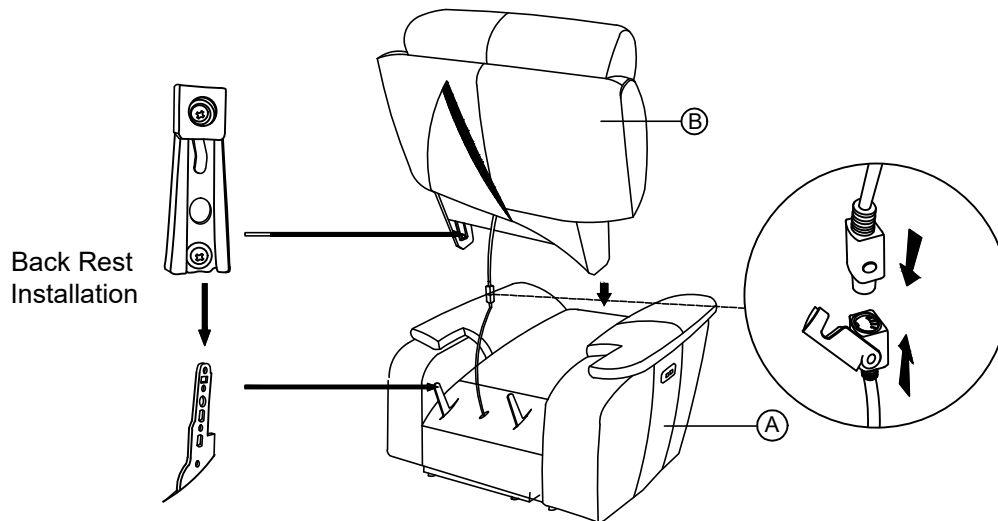


ASSEMBLY INSTRUCTIONS INSTRUCTIONS D'ASSEMBLAGE

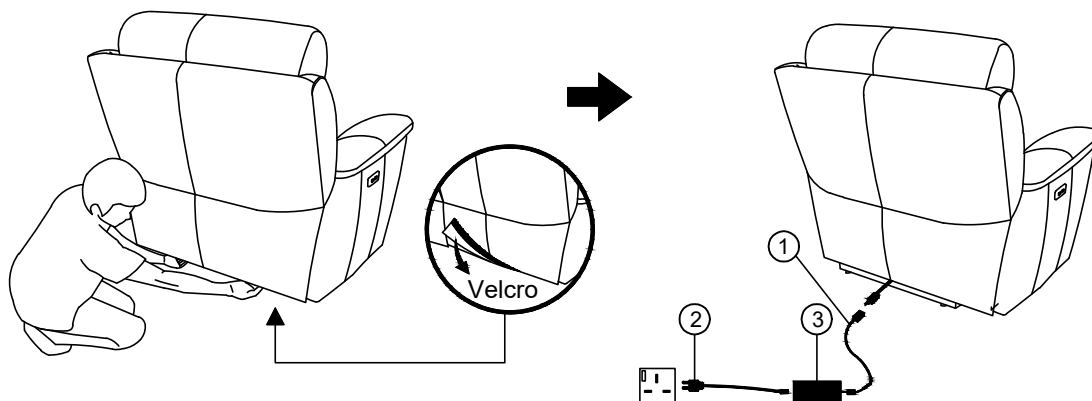
9445BR -1PWH

Power Reclining Chair with Power Headrest & USB Port

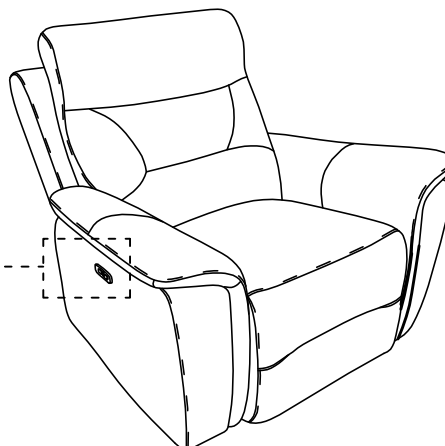
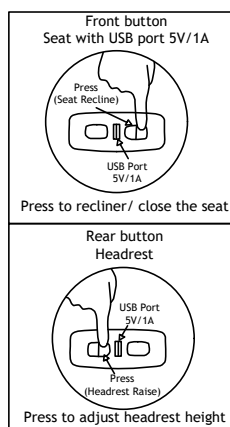
Step 1



Step 2



Step 3



COMPLETED



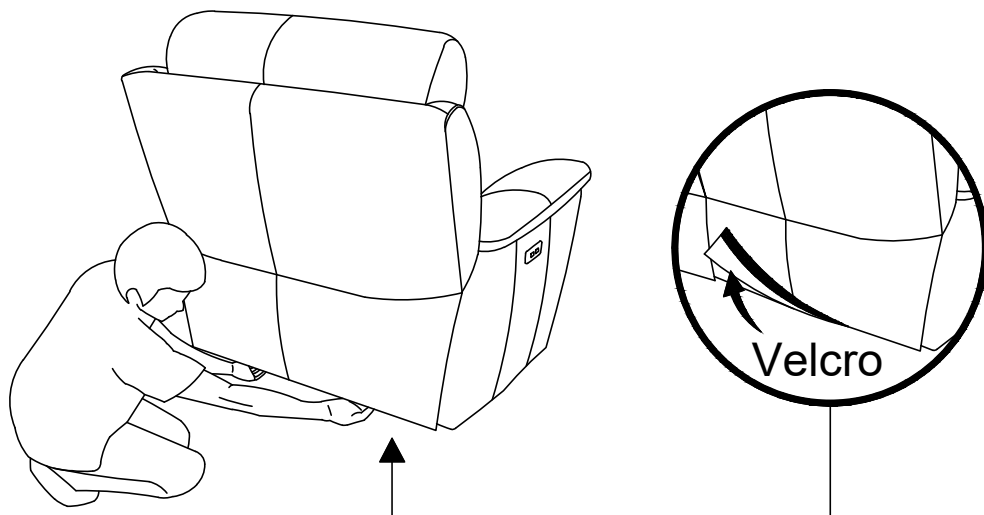
ASSEMBLY INSTRUCTIONS INSTRUCTIONS D'ASSEMBLAGE

9445BR -1PWH

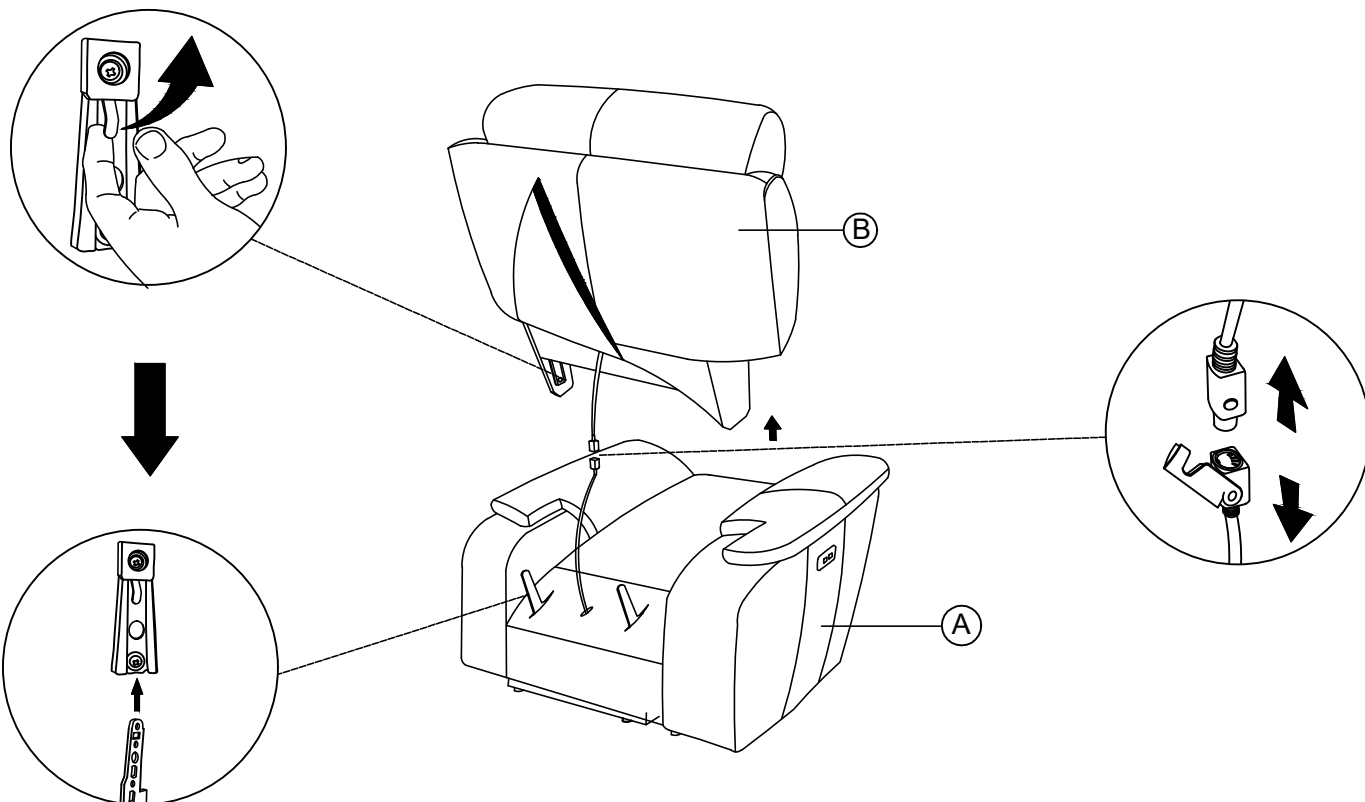
Power Double Reclining sofa with Power Headrest & USB Port

Disassemble the back
Step 1

Back Rest
Remove



Step 2 To unlock the back of the recliner from its base,
push up on the small metal hook built into the side of the recliner



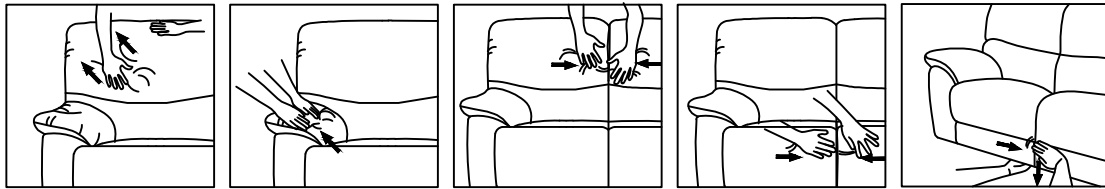
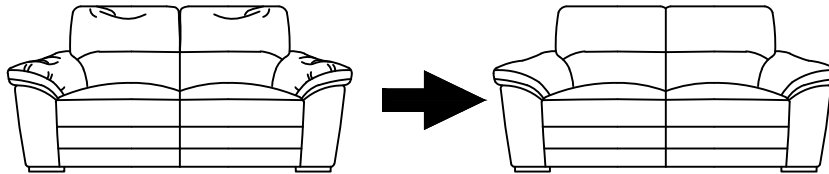
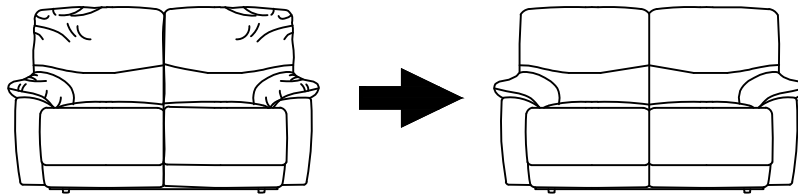


ASSEMBLY INSTRUCTIONS INSTRUCTIONS D'ASSEMBLAGE

9445BR -1PWH

Power Reclining Chair with Power Headrest & USB Port

Upholstery Cushion Care



TOP GRAIN LEATHER MATCH PVC CARE INSTRUCTION.

- Avoid exposing furniture directly to sunlight or heating and air conditioning outlets.
- Exposure to sunlight or heating and air conditioning outlets will fade/damage top grain leather match PVC.
- Wipe gently with a damp soft cloth to remove dust, dirt and any buildup.



- Disconnect the electrical plug from the wall outlet before cleaning, moving, servicing or when not in use for an extended period of time.
- Plug directly into a wall outlet. Do not use an extension cord or adaptor
- Check the condition of the power transformers, electrical cords, plugs and connectors monthly. Keep the power adaptor and electrical cords away from heat sources. Never operate the unit with a damaged power adaptor, electrical cord, plug or connector.
- Before moving the product, please disconnect the electrical plug from the wall outlet and secure the mechanism to prevent unexpected opening or movement. Never move the product by the mechanism, legrest, handle, or reclining back.
- Do not attempt to disassemble or service the adaptor or motor. No serviceable parts are inside.
- Do not allow electrical cord to be pinched between moving parts or between the frame and the floor. Do not place cord under carpet or in location where it could become worn.
- Unplug the power cord immediately if you detect strange odors or fumes coming from the chair.