



## Assembly Instruction

ITEM NO.: 9730CAM-3CL/BLK-3CL

item: Elegant Lounger, Camel PU

item: Elegant Lounger, Black PU



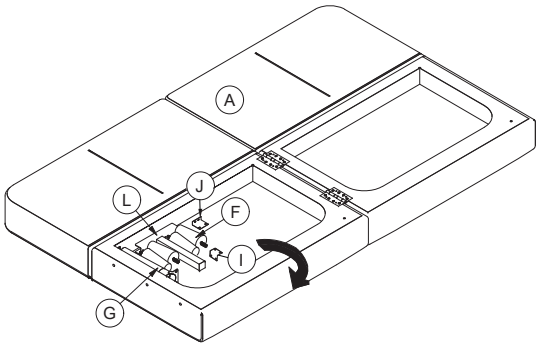
Legs & hardware are stored at the bottom of sofa, please take out the legs and hardware for assembly.

Note: Do not use power tools for assembly. Power tools increase the risk of over tightening which lead to spliting or cracking the wood.

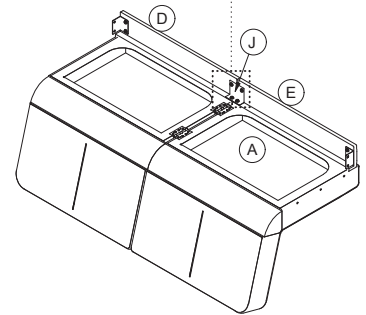
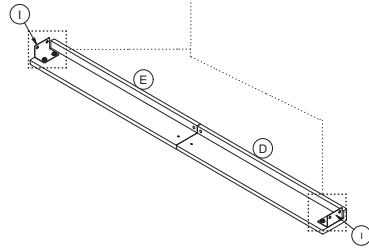
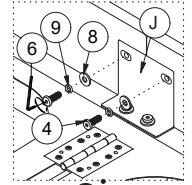
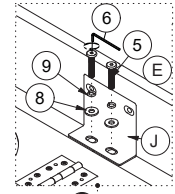
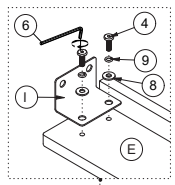
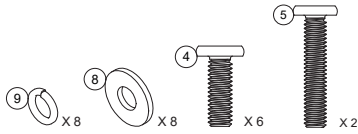
### Component list

No	Drawing	Qty	Description
A		1	Seat
B		1	Left Arm
C		1	Right Arm
D		1	LSF Front Panel
E		1	RSF Front Panel
F		4	Wooden Leg 152 x 60 x 40 mm
G		2	Wooden Middle Leg 318 x 75 x 38 mm
H		2	Rail
I		2	Metal Bracket
J		1	Metal Connector
K		1	Metal Center Rear Leg
1		6	Bolt 5/16" X 3 15/16"
2		8	Bolt M6 X 6mm
3		4	Bolt M6 X 15mm
4		14	Bolt 5/16" X 9/10" Bolt
5		2	Bolt 5/16" X 1 11/20" Bolt
6		1	L-Allen Key 5mm
7		1	L-Allen Key 4mm
8		22	Washer 5/16"
9		22	Spring Washer 5/16"
10		6	Nut 5/16"
11		4	Plastic Washer
12		1	Wrench

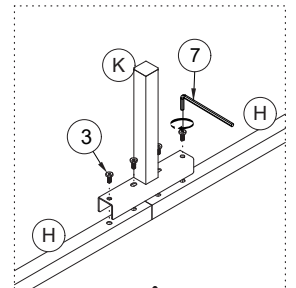
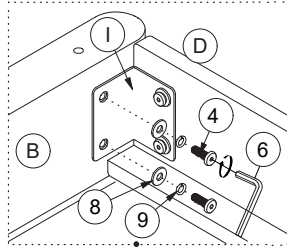
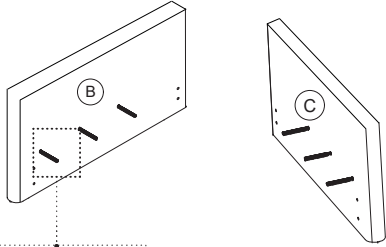
# Step #1



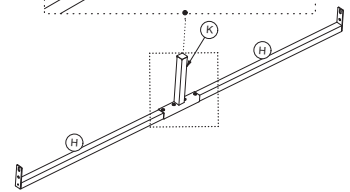
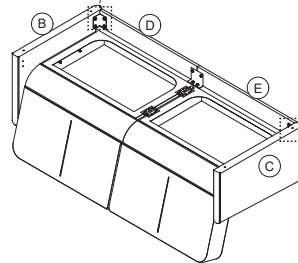
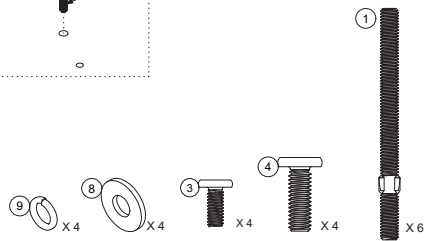
▲ Legs and Hardware will be found in the compartment under the seat as shown.



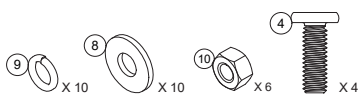
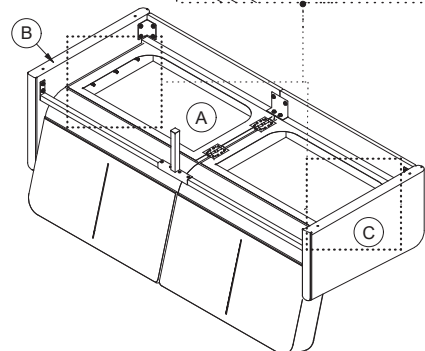
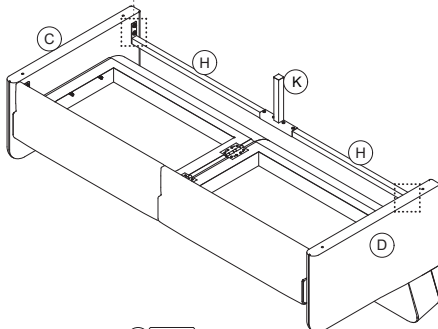
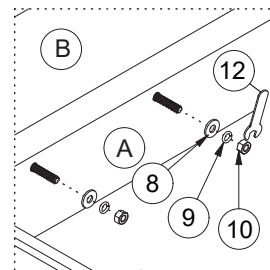
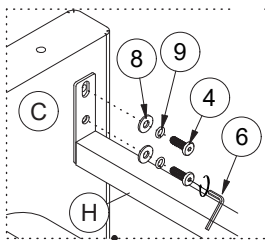
# Step #2



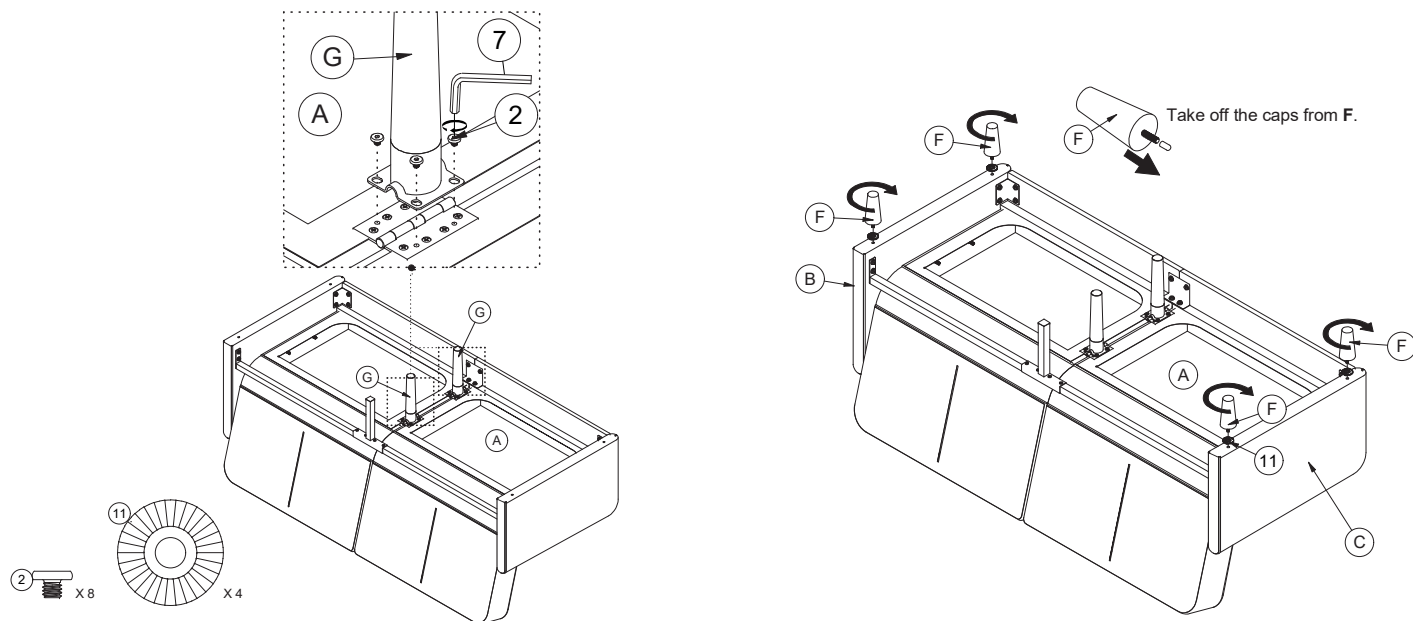
▲ Note: Only screw in the shortest threaded part of the Bolts.



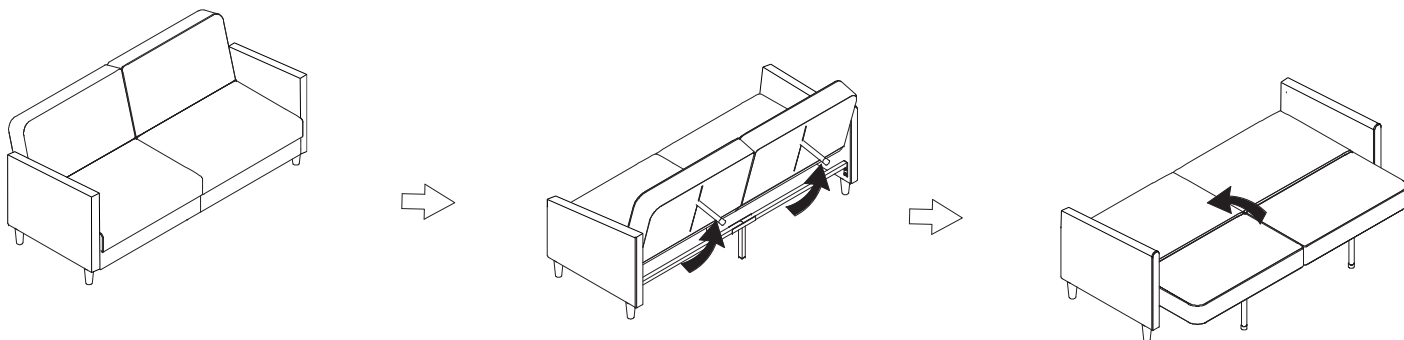
# Step #3



## Step #4



## Step #5



## Care Instruction for PU Fabric Furniture:

In order to maintain the original appearance of your PU fabric Furniture, please follow below simple care procedures:

- Avoid exposing furniture directly to sunlight or heating and air conditioning outlets. Sunlight and or exposure to heating and air conditioning outlets will fade/damage PU Fabric.
- Vacuum or wipe with a soft cloth to remove dust.
- Hardware may loosen over time. Periodically check to make sure all connection are tight, re-tighten if necessary.



For items use on wooden floor, hard surfaces or carpets, it is recommended to Install protective pads under all legs and supports to avoid/prevent from damages/scratches and discoloration.