

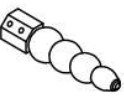




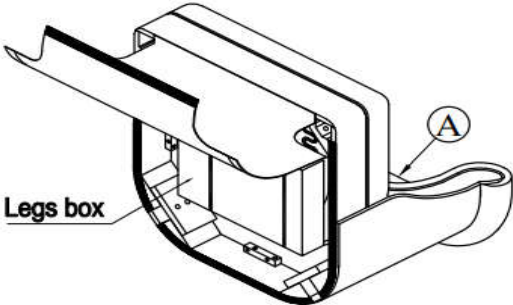


NOTE: Do not use power tools for assembly. Power tools increase the risk of over tightening which leads to splitting or cracking the wood.

COMPONENT LIST

NO	DESCRIPTION	DRAWING	QTY	NO	DESCRIPTION	DRAWING	QTY
A	CHAIR		1PC	D	Ø5/16" * 2 3/16" BOLT		8PCS
B	FRONT LEGS		2PCS	E	Ø5/16" * Ø13x2mm LOCK WASHER		8PCS
C	REAR LEGS		2PCS	F	Ø5/16" * Ø19x2mm FLAT WASHER		8PCS
				G	ALLEN KEY (4mm)		1PC

**Step #1**



Legs box

Legs and hardware are stored in the seat frame, please open dust cover and take out for assembly.

**Step #2**

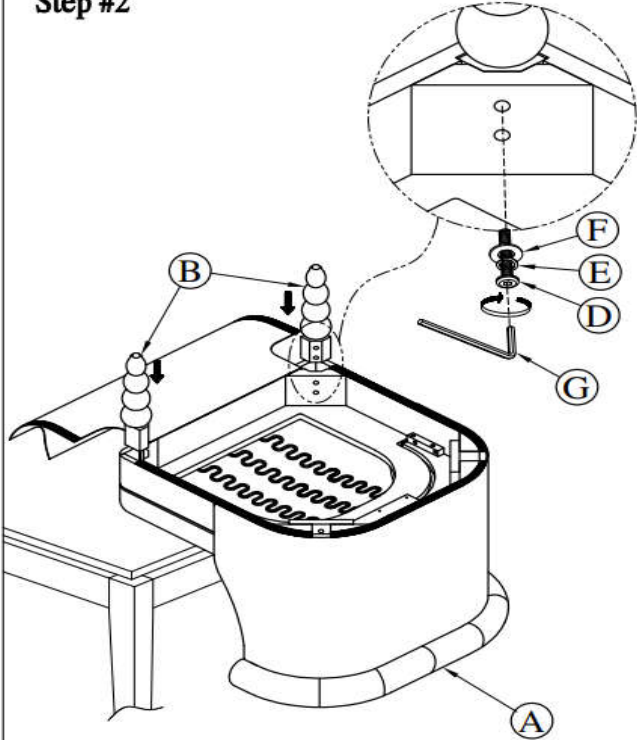
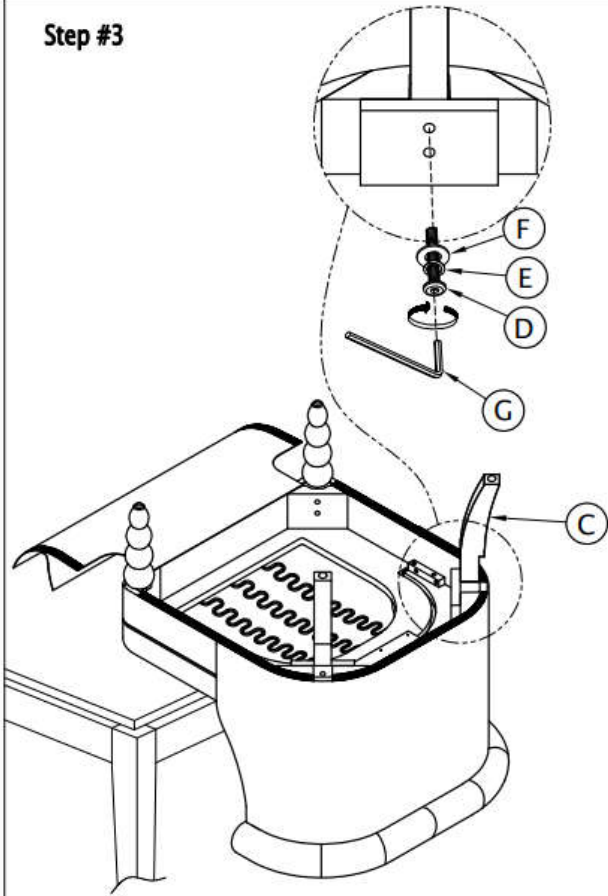
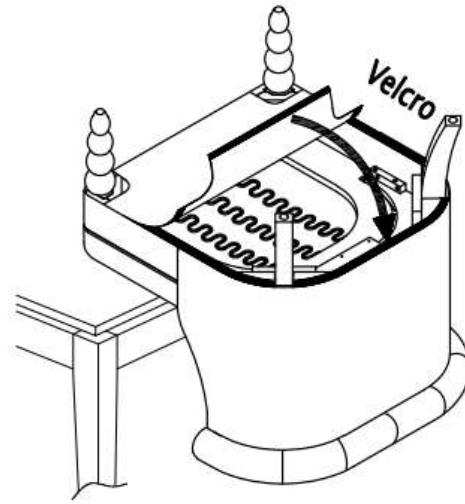


Diagram illustrating the attachment of the front legs (B) and rear legs (C) to the seat frame (A) using bolts (D), lock washers (E), and flat washers (F). An Allen key (G) is used for tightening.

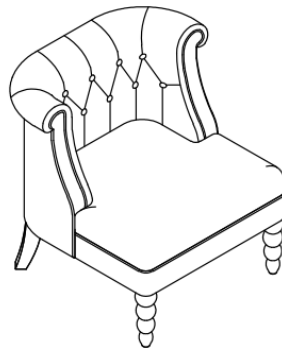
Step #3



Step #4



COMPLETED



## CARE INSTRUCTION FOR VELVET:

In order to maintain the original appearance of your velvet furniture,  
Please follow below simple care procedure:

- Avoid exposing furniture directly to sunlight or heating and air conditioning outlets. Exposure to sunlight or heating and air conditioning outlets will fade/damage fabric.
- Wipe gently with a damp soft cloth to remove dust, dirt and any grime build up.



It is recommended to install protective pads under all legs and supports to avoid damage or scratches when placing furniture on the wood floor or other hard surface and to limit indentation and prevent discoloration if placing on carpet.



Il est recommandé de placer des coussins protecteurs sous tous les piedset toutes les bases des meubles pour éviter d'endommager ou d'égratignerles planchers en bois ou autres surfaces dures, et pour limiter l'empreinte et empêchet la décoloration quand les meubles reposent sur la moquette.