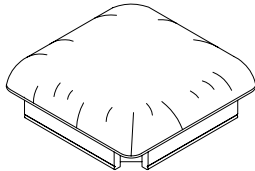


ASSEMBLY INSTRUCTION

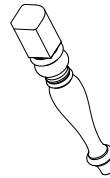
Item#1919NC-14: VANITY STOOL

(A) Seat Cushion- Frame



1pc

(B) Leg



4pcs

(C) Bolt
(Ø5/16" x 2")



8pcs

(D) Flat washer
(Ø5/16" x Ø19mm)



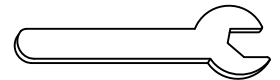
8 pcs

(E) Spring washer
(Ø5/16")

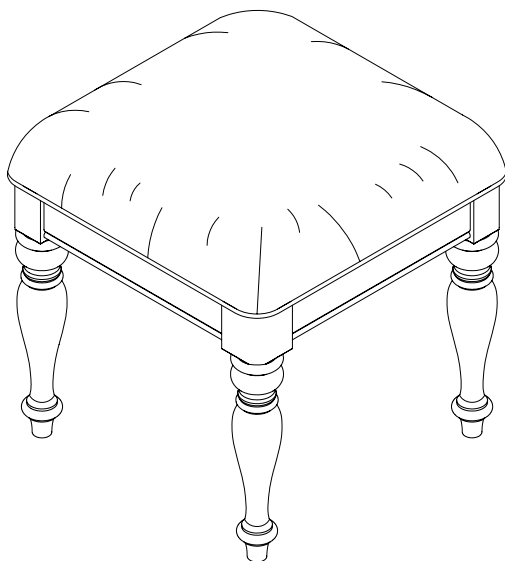


8 pcs

(F) Ø5/16" Wrench
(12mm)



1pc

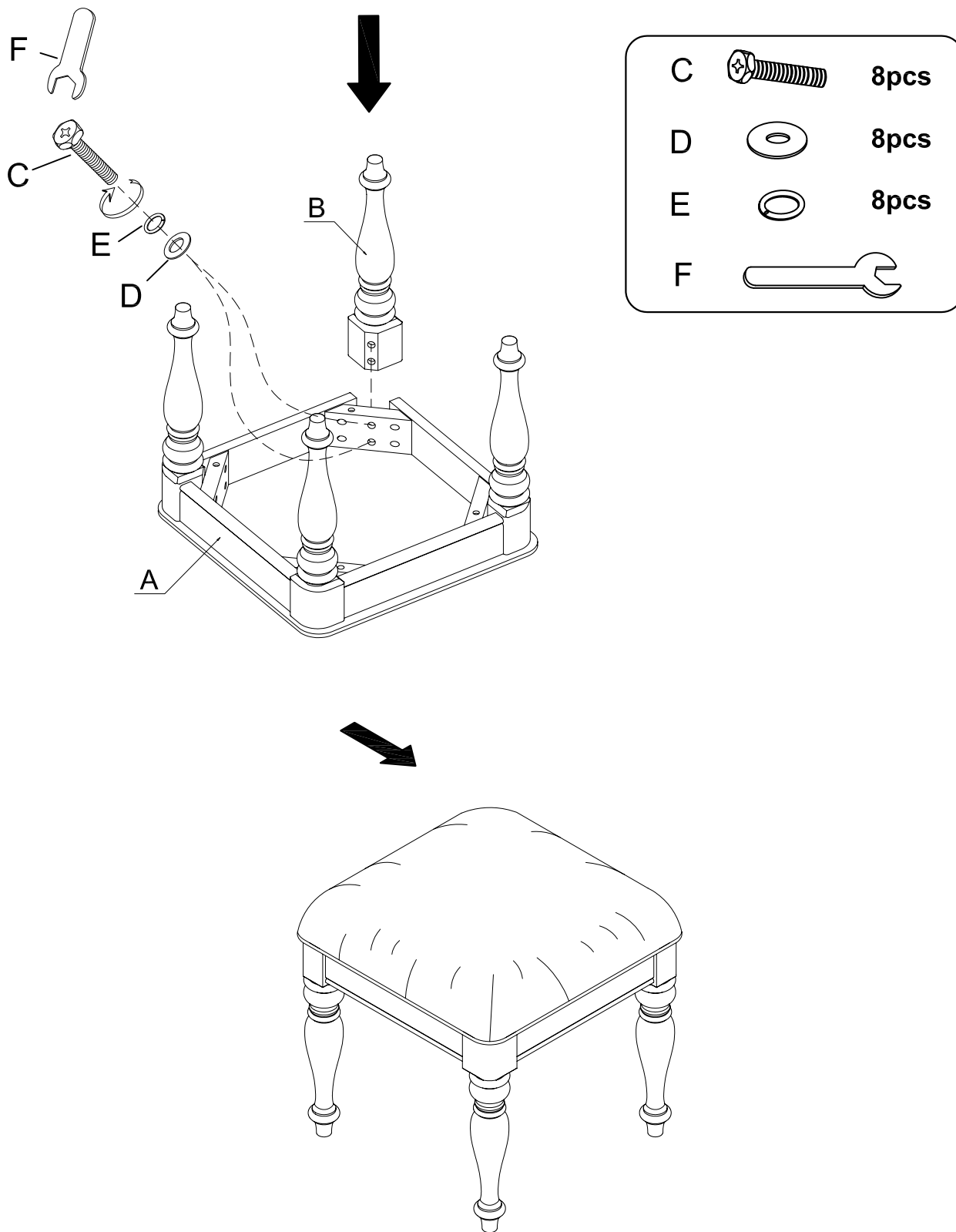


This page lists all the contents included in the box. Please take time to identify the hardware as well as the individual components to this product. As you unpack and prepare for assembly, place the contents on a carpeted or padded area to protect them from damage.

! For items use on wooden floor, hard surfaces or carpets, it is recommended to install protective pads under all legs and supports to avoid/prevent from damages/scratches and discoloration.

1

Attach the legs (B) to the seat cushion frame (A) with 8pcs bolt (C), 8 pcs flat washer (D), 8 pcs spring washer (E) then tighten using wrench (F).



Cleaning & Care

Treat surface with care. Clean surfaces with a dry or damp soft cloth. Do not use abrasive cleaners. Hardware may loosen over time. Periodically check that all connections are tight.

Made in Vietnam

ASSEMBLY INSTRUCTION


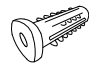



Item#1919NC-15L : VANITY LSF PIER

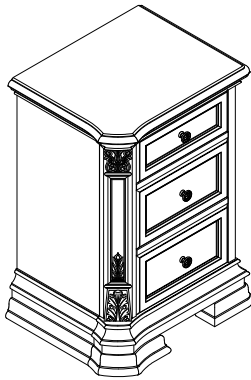
(A) LSF



1pc

(B) Furniture Tipping Restraint

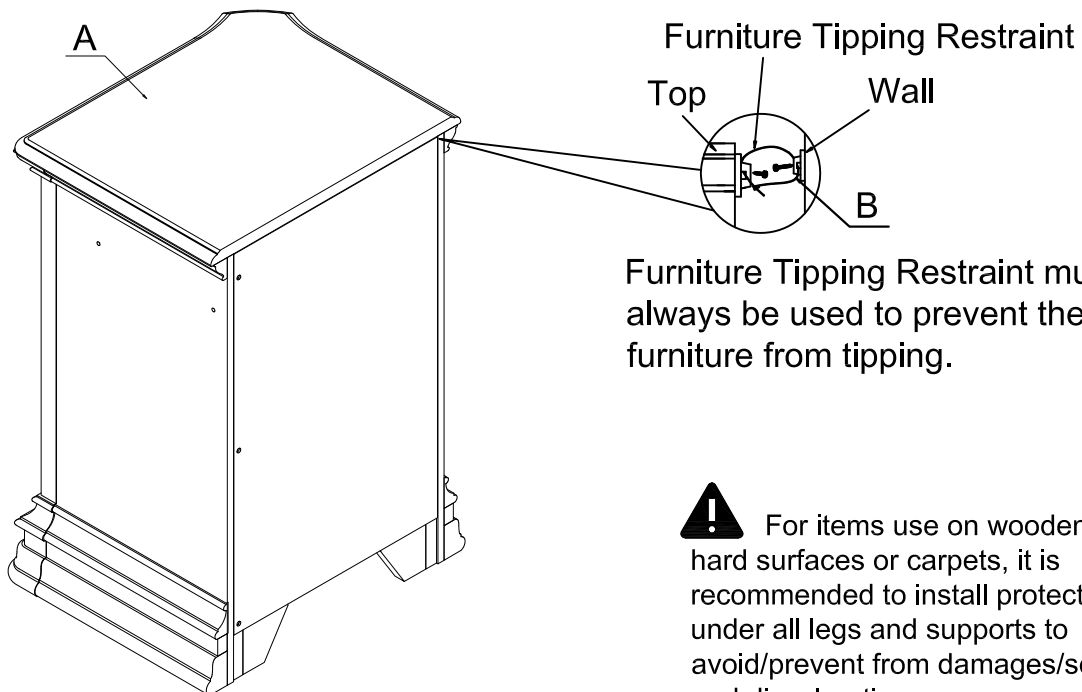
Strap	Anchor	Brackets	Screw (Ø8x1")	Screw (Ø8x5/8")
				
1pc	1pc	2pcs	1pc	1pc



This page lists all the contents included in the box. Please take time to identify the hardware as well as the individual components to this product. As you unpack and prepare for assembly, place the contents on a carpeted or padded area to protect them from damage.

1

Assemble the furniture Tipping Restraint (B) to the LSF (A).



Furniture Tipping Restraint must always be used to prevent the furniture from tipping.

! For items use on wooden floor, hard surfaces or carpets, it is recommended to install protective pads under all legs and supports to avoid/prevent from damages/scratches and discoloration.

Cleaning & Care

Treat surface with care. Clean surfaces with a dry or damp soft cloth. Do not use abrasive cleaners. Hardware may loosen over time. Periodically check that all connections are tight.

Made in Vietnam

ASSEMBLY INSTRUCTION


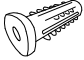



Item#1919NC-15R : VANITY RSF PIER

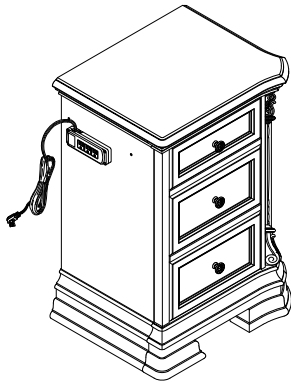
(A) RSF



1pc

(B) Furniture Tipping Restraint

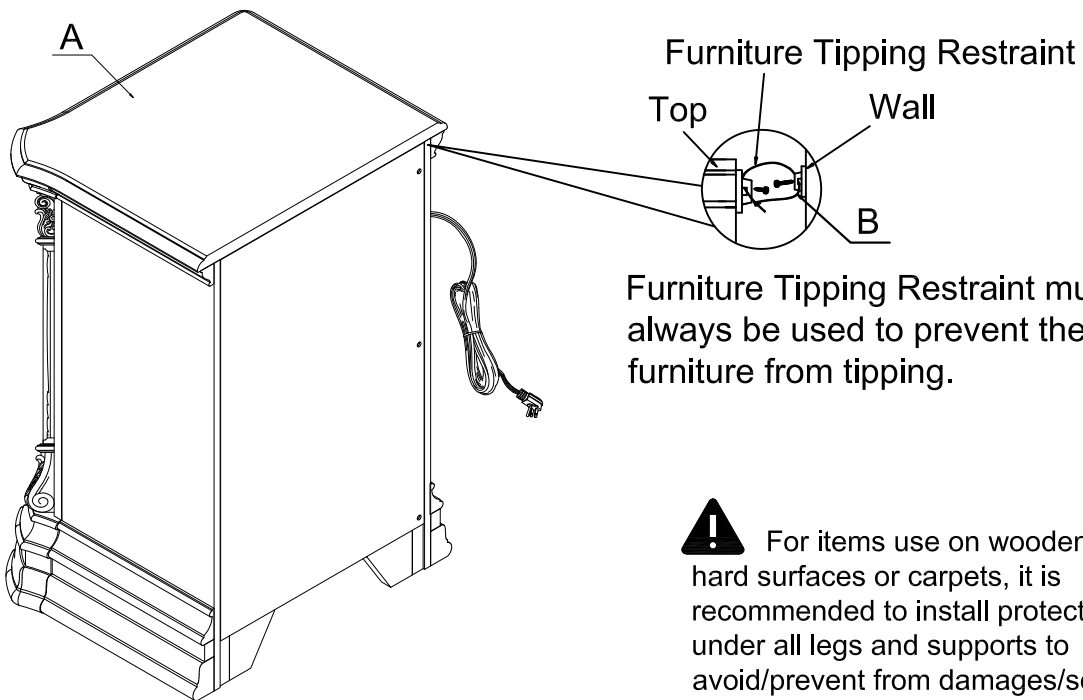
Strap	Anchor	Brackets	Screw (Ø8x1")	Screw (Ø8x5/8")
				
1pc	1pc	2pcs	1pc	1pc



This page lists all the contents included in the box. Please take time to identify the hardware as well as the individual components to this product. As you unpack and prepare for assembly, place the contents on a carpeted or padded area to protect them from damage.

1

Assemble the furniture Tipping Restraint (B) to the RSF (A).



Furniture Tipping Restraint must always be used to prevent the furniture from tipping.

! For items use on wooden floor, hard surfaces or carpets, it is recommended to install protective pads under all legs and supports to avoid/prevent from damages/scratches and discoloration.

Cleaning & Care

Treat surface with care. Clean surfaces with a dry or damp soft cloth. Do not use abrasive cleaners. Hardware may loosen over time. Periodically check that all connections are tight.

Made in Vietnam

ASSEMBLY INSTRUCTION

Item#1919NC-15M: VANITY MIRROR

(A) LSF



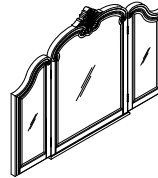
1pc

(B) RSF



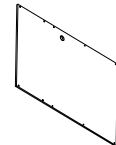
1pc

(C) Mirror



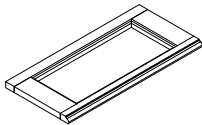
1pc

(D) Mirror back panel



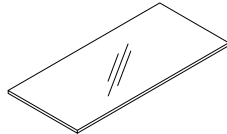
1pc

(E) Shelf frame



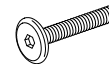
1pc

(F) Glass shelf



1pc

(G) Bolt
Ø1/4"x
1-1/4"



10pcs

(H) Flat washer
(Ø1/4"x
19mm)



10pcs

(I) Spring washer
(Ø1/4")



10pcs

(J) Screw
Ø6 x
5/8"



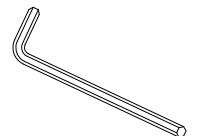
8pcs

(K) Shelf support

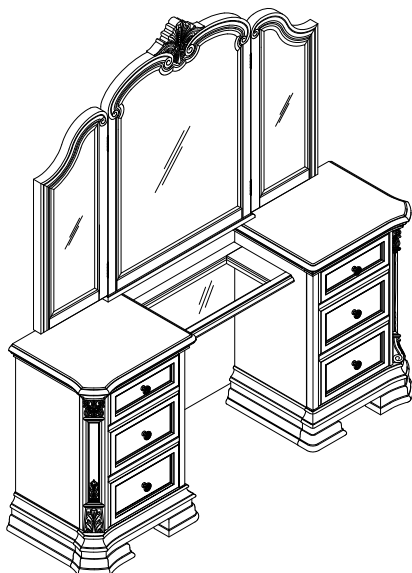


4pcs

(L) Allen key
(4mm)



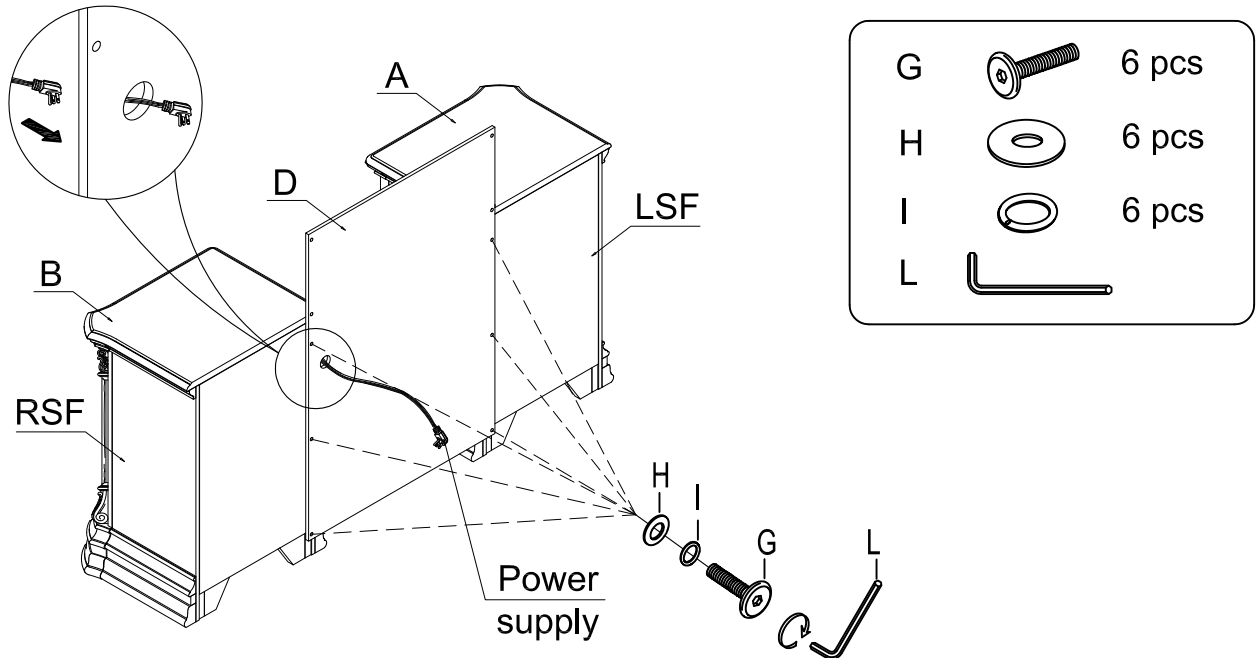
1pc



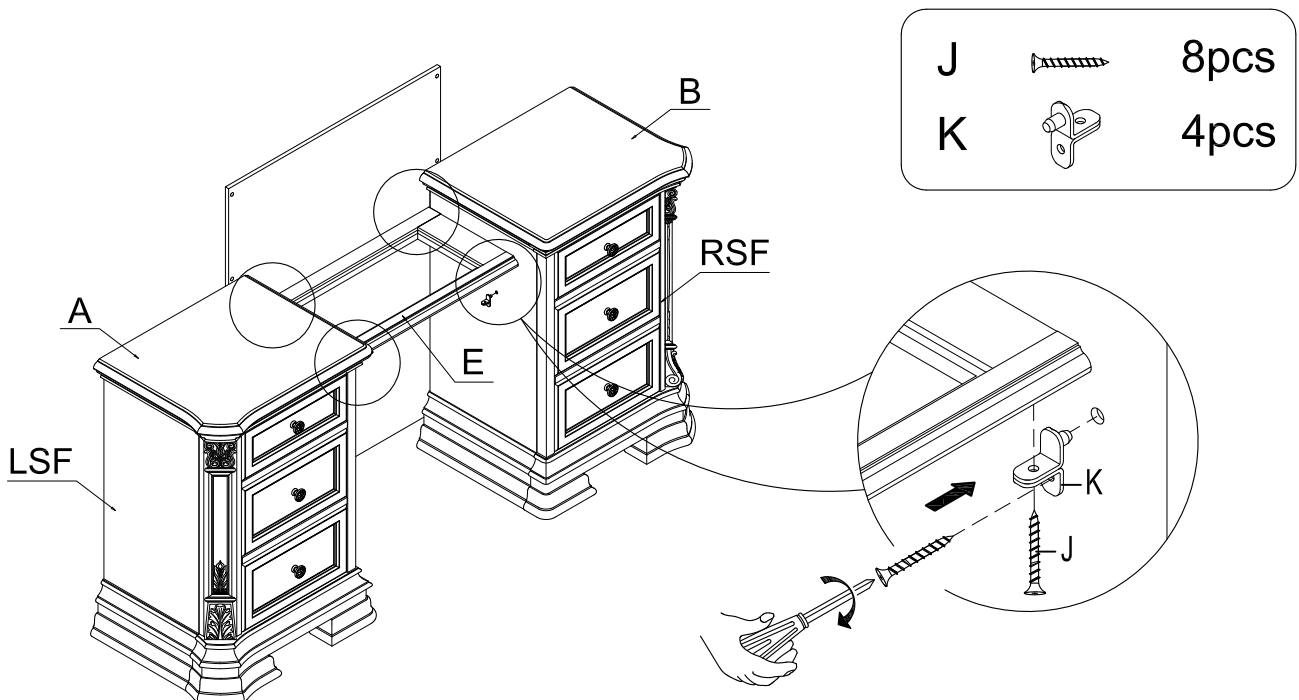
This page lists all the contents included in the box. Please take time to identify the hardware as well as the individual components to this product. As you unpack and prepare for assembly, place the contents on a carpeted or padded area to protect them from damage.

1

Assemble the mirror support (D) to the LSF pier (A), RSF pier (B) with 6 pcs bolt (G), 6 pcs flat washer (H) and 6 pcs spring washer (I) tighten using allen key (L).

**2**

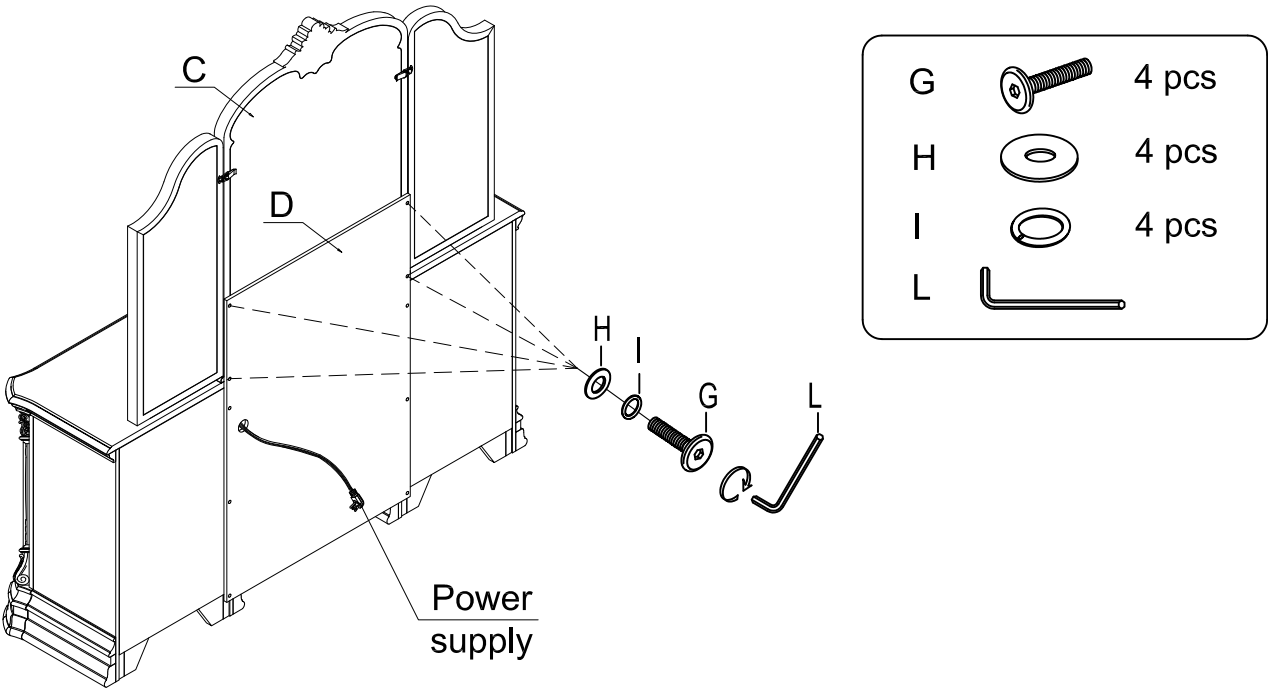
Attach the shelf frame (E) to the LSF pier (A), RSF pier (B) with 4pcs shelf support (K) using the screw (J) provided as shown



Made in Vietnam

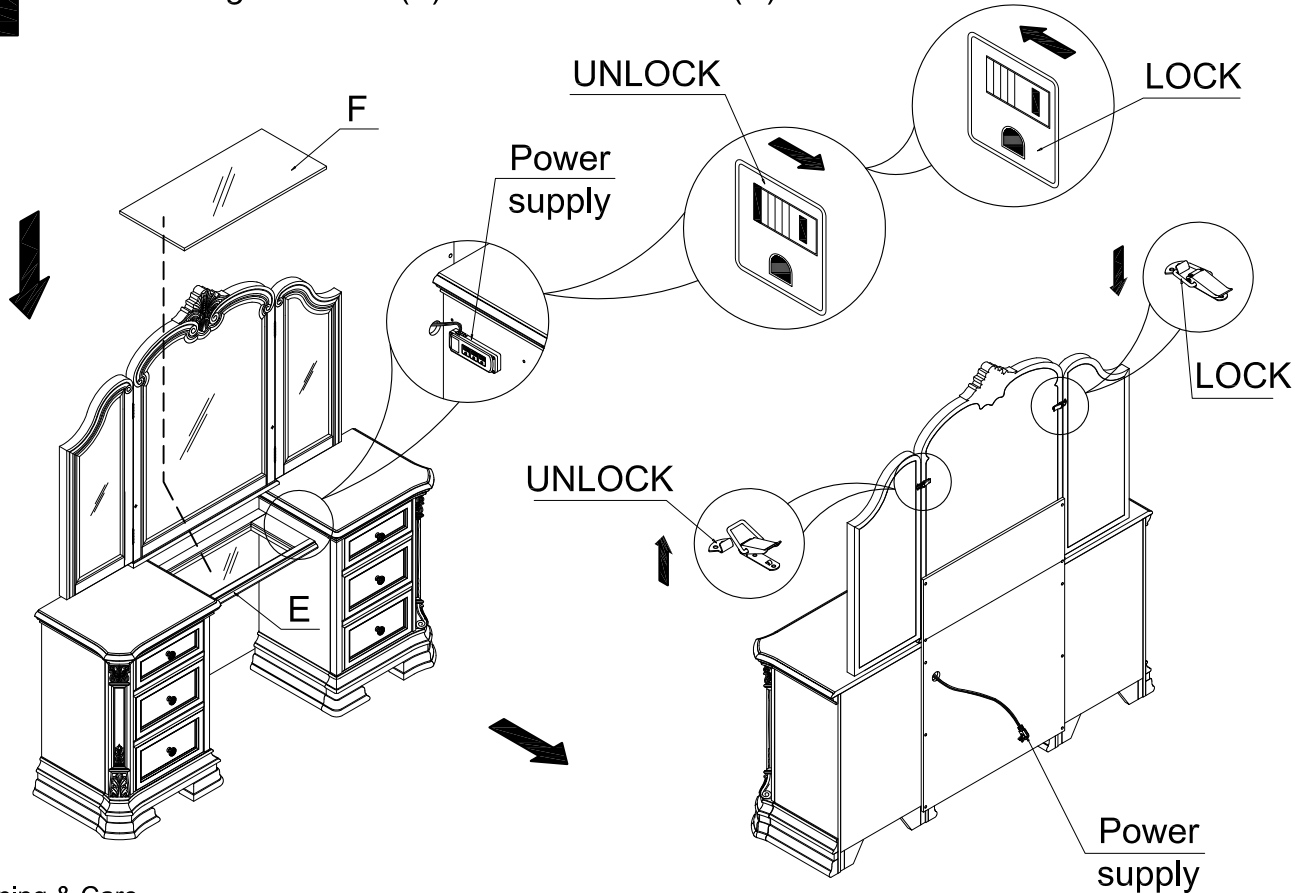
3

Assemble the mirror support (D) to the mirror (C) with 4 pcs bolt (G), 4 pcs flat washer (H) and 4 pcs spring washer (I) tighten using allen key (L).



4

Attach the glass shelf (F) to the shelf frame (E)



Cleaning & Care

Treat surface with care. Clean surfaces with a dry or damp soft cloth. Do not use abrasive cleaners. Hardware may loosen over time. Periodically check that all connections are tight.

Made in Vietnam

ASSEMBLY INSTRUCTION


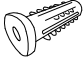



Item#1919NC-4 : NIGHT STAND-MARBLE TOP

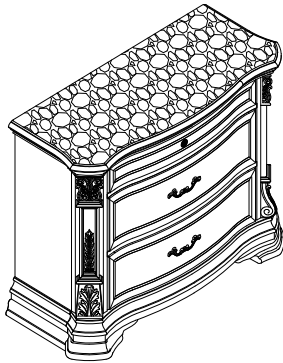
(A) Night stand



1pc

(B) Furniture Tipping Restraint

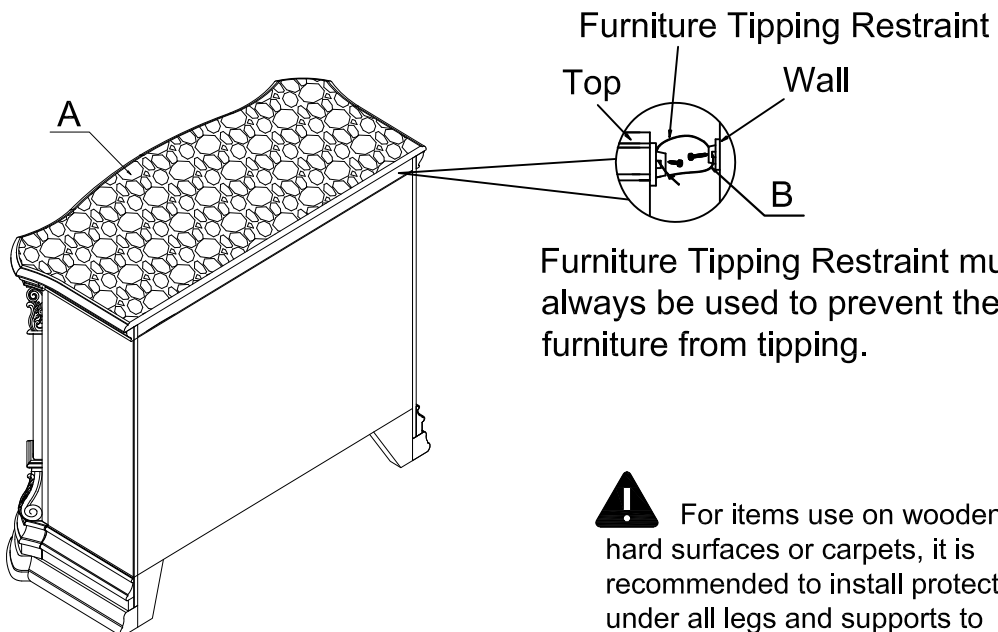
Strap	Anchor	Brackets	Screw (Ø8x1")	Screw (Ø8x5/8")
				
1pc	1pc	2pcs	1pc	1pc



This page lists all the contents included in the box. Please take time to identify the hardware as well as the individual components to this product. As you unpack and prepare for assembly, place the contents on a carpeted or padded area to protect them from damage.

1

Assemble the furniture Tipping Restraint (B) to the Night stand (A).



Furniture Tipping Restraint must always be used to prevent the furniture from tipping.

! For items use on wooden floor, hard surfaces or carpets, it is recommended to install protective pads under all legs and supports to avoid/prevent from damages/scratches and discoloration.

Cleaning & Care

Treat surface with care. Clean surfaces with a dry or damp soft cloth. Do not use abrasive cleaners. Hardware may loosen over time. Periodically check that all connections are tight.

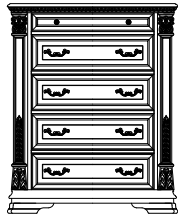
Made in Vietnam



ASSEMBLY INSTRUCTION

Item#1919NC-9 : CHEST -WOOD TOP

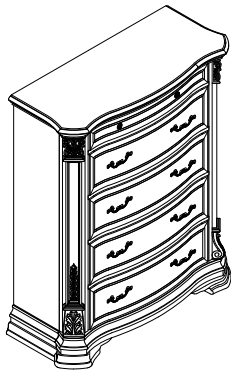
(A) Chest



1pc

(B) Furniture Tipping Restraint

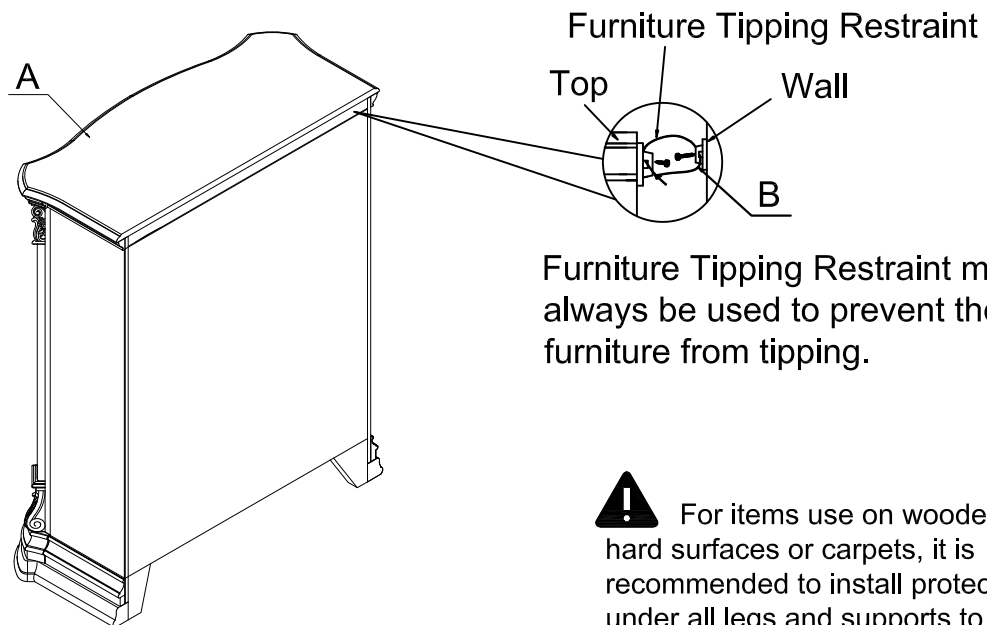
Strap	Anchor	Brackets	Screw (Ø8x1")	Screw (Ø8x5/8")
1pc	1pc	2pcs	1pc	1pc



This page lists all the contents included in the box. Please take time to identify the hardware as well as the individual components to this product. As you unpack and prepare for assembly, place the contents on a carpeted or padded area to protect them from damage.

1

Assemble the furniture Tipping Restraint (B) to the Chest (A).



Furniture Tipping Restraint must always be used to prevent the furniture from tipping.

! For items use on wooden floor, hard surfaces or carpets, it is recommended to install protective pads under all legs and supports to avoid/prevent from damages/scratches and discoloration.

Cleaning & Care

Treat surface with care. Clean surfaces with a dry or damp soft cloth. Do not use abrasive cleaners. Hardware may loosen over time. Periodically check that all connections are tight.

Made in Vietnam



ASSEMBLY INSTRUCTION

Item#1919NC-11 :TV CHEST -WOOD TOP

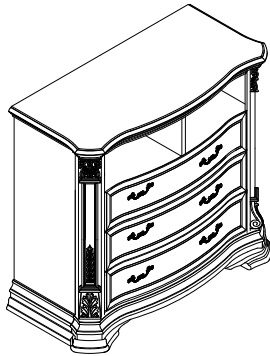
(A) TV chest



1pc

(B) Furniture Tipping Restraint

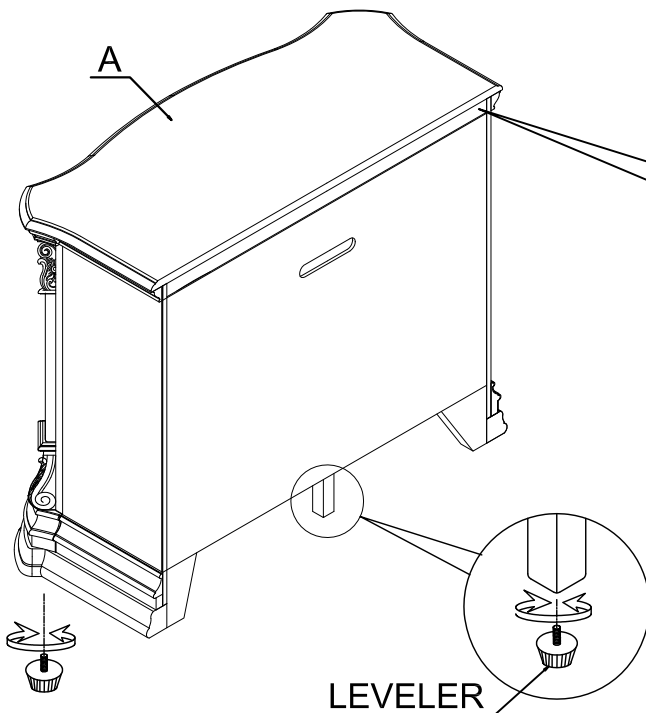
Strap	Anchor	Brackets	Screw (Ø8x1")	Screw (Ø8x5/8")
1pc	1pc	2pcs	1pc	1pc



This page lists all the contents included in the box. Please take time to identify the hardware as well as the individual components to this product. As you unpack and prepare for assembly, place the contents on a carpeted or padded area to protect them from damage.

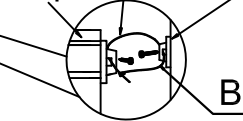
1

Assemble the furniture Tipping Restraint (B) to the TV Chest (A).



Furniture Tipping Restraint

Top Wall



Furniture Tipping Restraint must always be used to prevent the furniture from tipping.



For items use on wooden floor, hard surfaces or carpets, it is recommended to install protective pads under all legs and supports to avoid/prevent from damages/scratches and discoloration.

Cleaning & Care

Treat surface with care. Clean surfaces with a dry or damp soft cloth. Do not use abrasive cleaners. Hardware may loosen over time. Periodically check that all connections are tight.

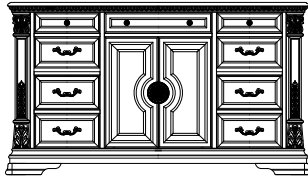
Made in Vietnam



ASSEMBLY INSTRUCTION

Item#1919NC-5: DRESSER -MARBLE TOP

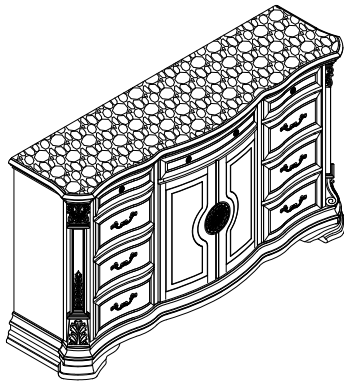
(A) Dresser



1pc

(B) Furniture Tipping Restraint

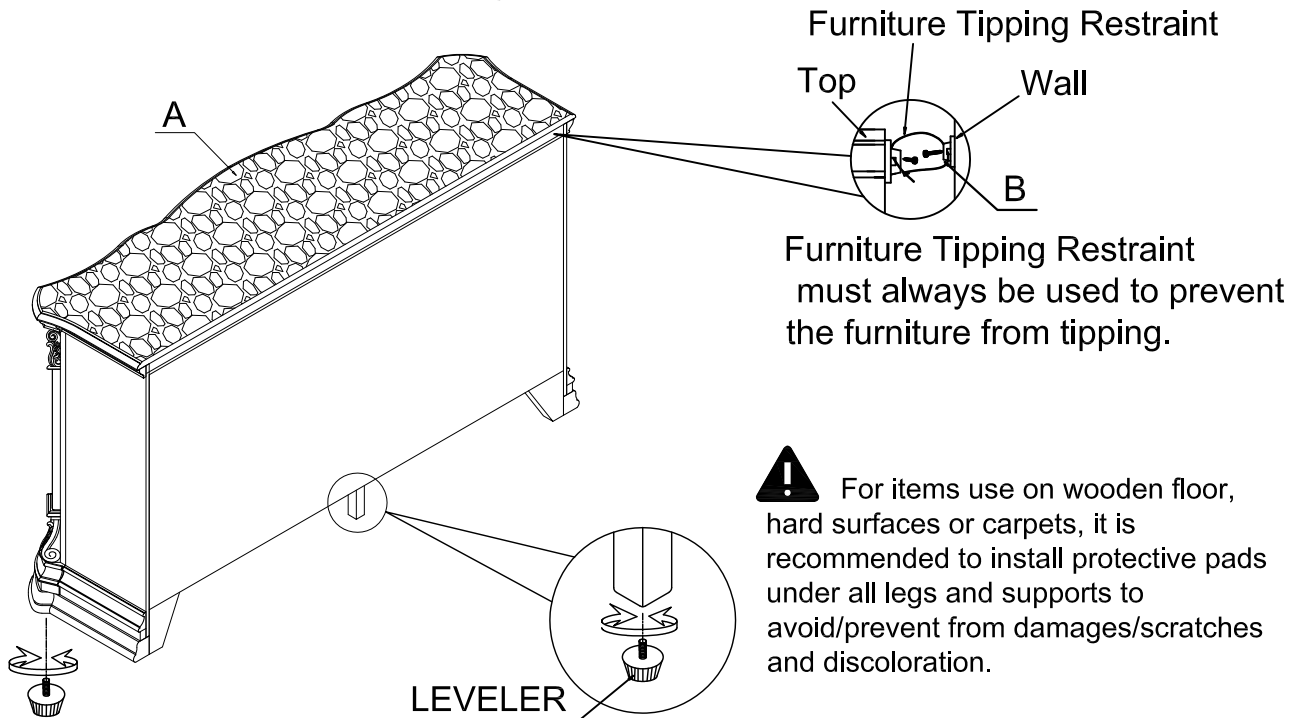
Strap	Anchor	Brackets	Screw (Ø8x1")	Screw (Ø8x5/8")
1pc	1pc	2pcs	1pc	1pc



This page lists all the contents included in the box. Please take time to identify the hardware as well as the individual components to this product. As you unpack and prepare for assembly, place the contents on a carpeted or padded area to protect them from damage.

1

Assemble the furniture Tipping Restraint (B) to the Dresser (A).



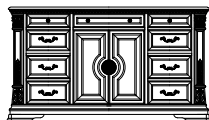
Cleaning & Care

Treat surface with care. Clean surfaces with a dry or damp soft cloth. Do not use abrasive cleaners. Hardware may loosen over time. Periodically check that all connections are tight.

Made in Vietnam

Item#1919NC-6: MIRROR

(A) Dresser



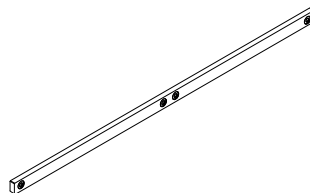
1pc

(B) Mirror



1pc

(C) Wooden mirror support



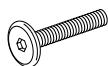
2pcs

(D) Bolt
Φ1/4"x1-1/4"



4pcs

(E) Bolt
Ø1/4"x 1-1/2"



4pcs

(F) Flat washer
(Ø1/4"x19mm)



8pcs

(G) Spring washer
(Ø1/4")

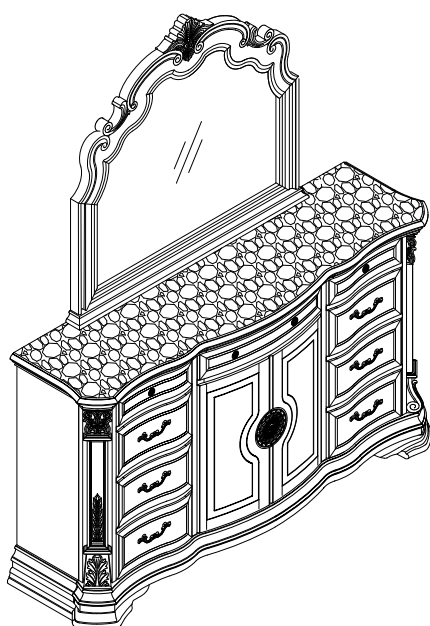


8pcs

(H) Allen key
(4mm)



1pc



This page lists all the contents included in the box. Please take time to identify the hardware as well as the individual components to this product. As you unpack and prepare for assembly, place the contents on a carpeted or padded area to protect them from damage.

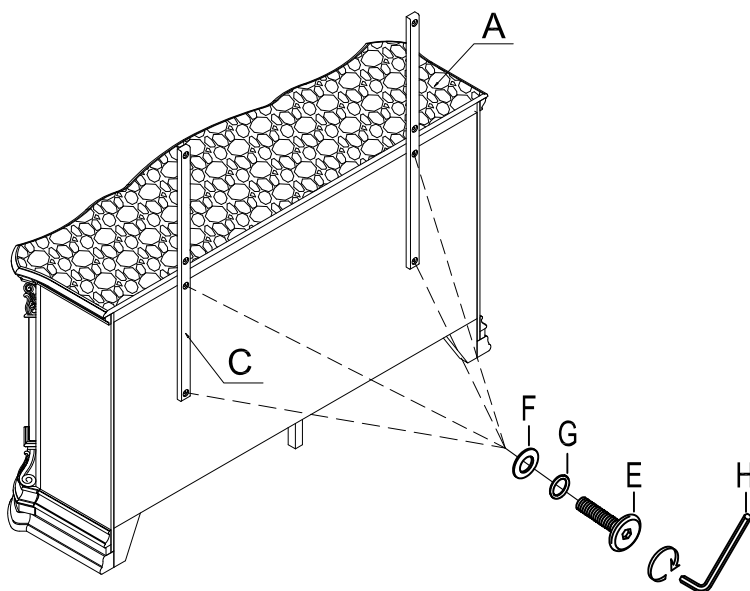
Cleaning & Care





Treat surface with care. Clean surfaces with a dry or damp soft cloth. Do not use abrasive cleaners. Hardware may loosen over time. Periodically check that all connections are tight.

Made in Vietnam

1

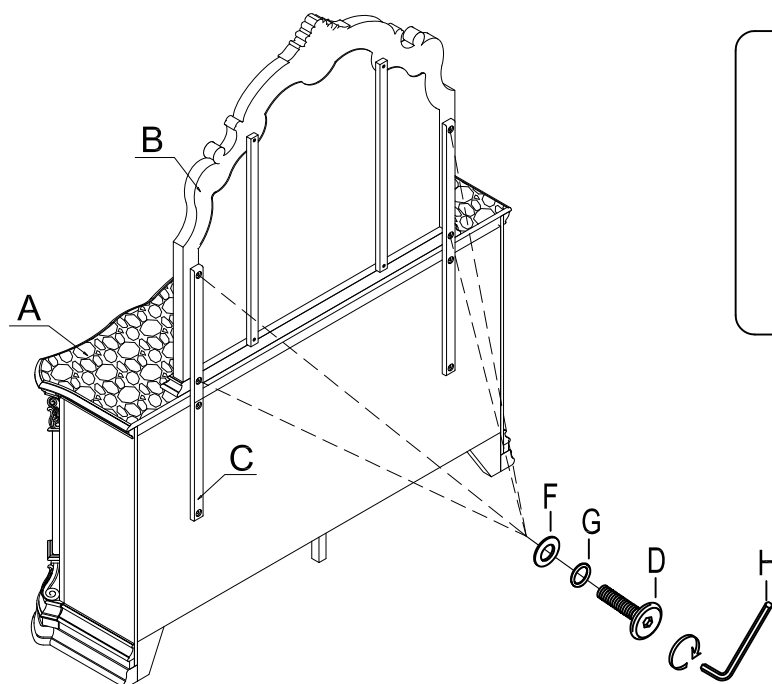
Assemble the wooden mirror support (C) to the dresser (A) with 4 pcs bolt (E), 4 pcs flat washer (F) and 4 pcs spring washer (G) tighten using allen key (H).







E		4 pcs
F		4 pcs
G		4 pcs
H		

2

Assemble the mirror (B) wooden mirror support (C) with 4 pcs bolt (D), 4 pcs flat washer (F) and 4 pcs spring washer (G) tighten using allen key (H)



D		4 pcs
F		4 pcs
G		4 pcs
H		

Cleaning & Care

Treat surface with care. Clean surfaces with a dry or damp soft cloth. Do not use abrasive cleaners. Hardware may loosen over time. Periodically check that all connections are tight.

Made in Vietnam

Item#1919KNC-1/1919KNC-2/1919NC-3: E-King bed

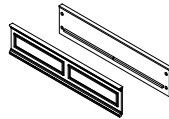
- (A) Headboard (B) Footboard (C) Side rail (D) Slat (E) HB Post LSF & RSF



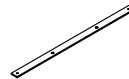
1pc



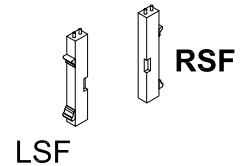
1pc



2pcs



4pcs



LSF

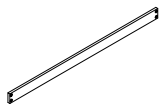
RSF

2pcs

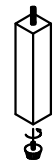
- (F) Support bar (G) Cross bar (H) Support leg (I) Bolt $\Phi 5/16"$ x1-1/2" (J) Bolt $\Phi 5/16"$ x1-3/4" (K) Threaded bolt ($\Phi 5/16"$ x3-1/2") (L) Flat washer ($\Phi 5/16"$ x $\Phi 19$ mm)



2pcs



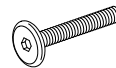
1pc



8pcs



4pcs



8pcs



8pcs



12pcs

- (M) Spring washer ($\Phi 5/16"$) (N) Half round washer ($\Phi 5/16"$) (O) Hex nut ($\Phi 5/16"$) (P) Allen key (5mm) (Q) Wrench (12mm) (R) Screw $\Phi 8$ x 1-1/4"



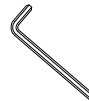
12pcs



8pcs



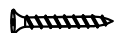
8pcs



1pc

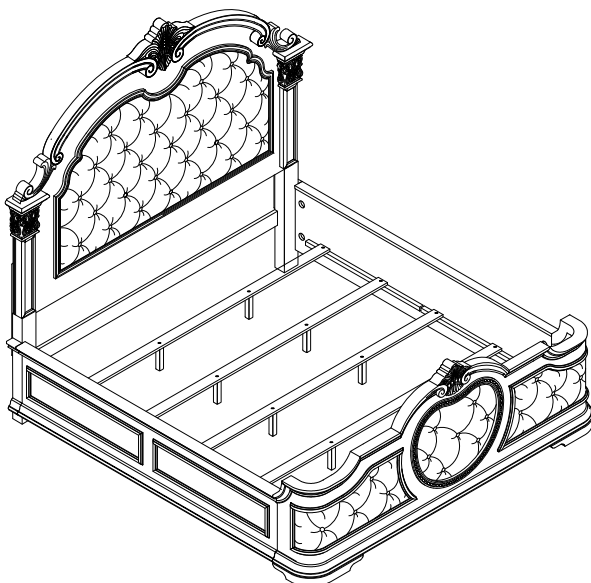


1pc



8pcs

Note: Hardware pack is in 1919KNC-1



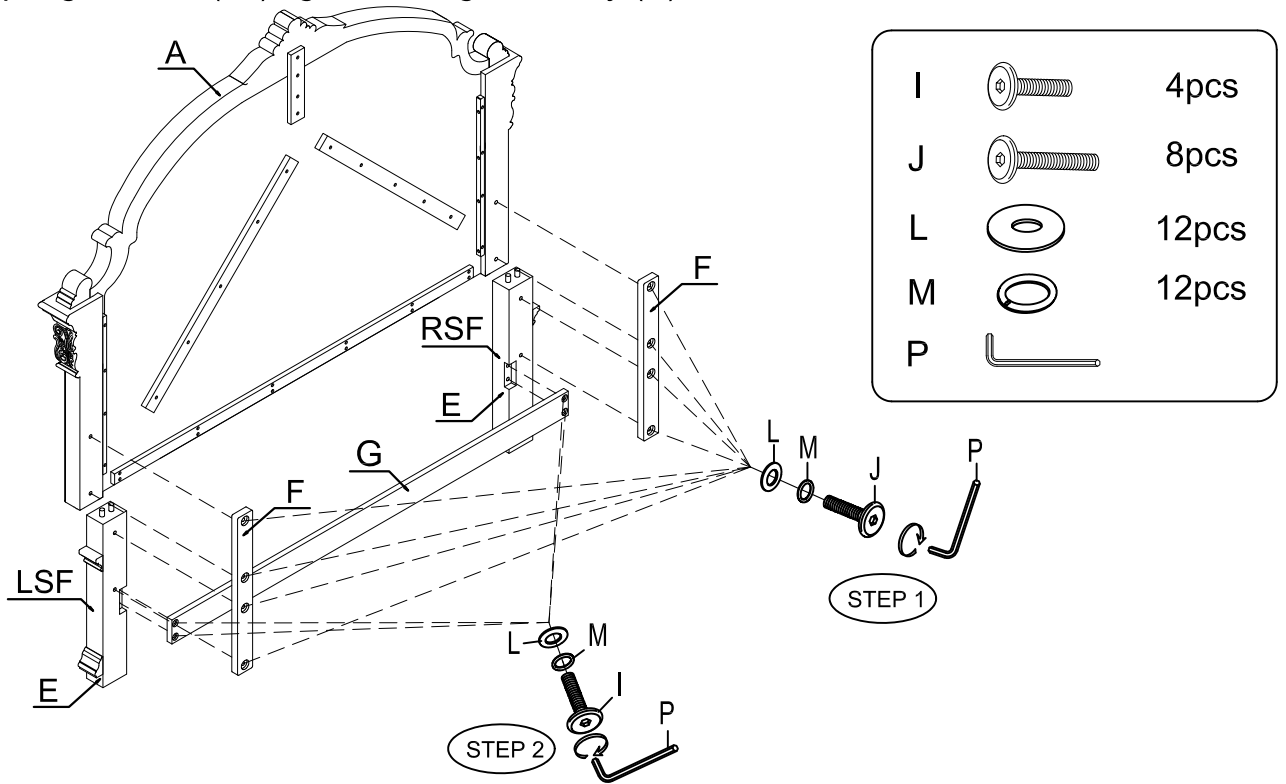
This page lists all the contents included in the box. Please take time to identify the hardware as well as the individual components to this product. As you unpack and prepare for assembly, place the contents on a carpeted or padded area to protect them from damage.



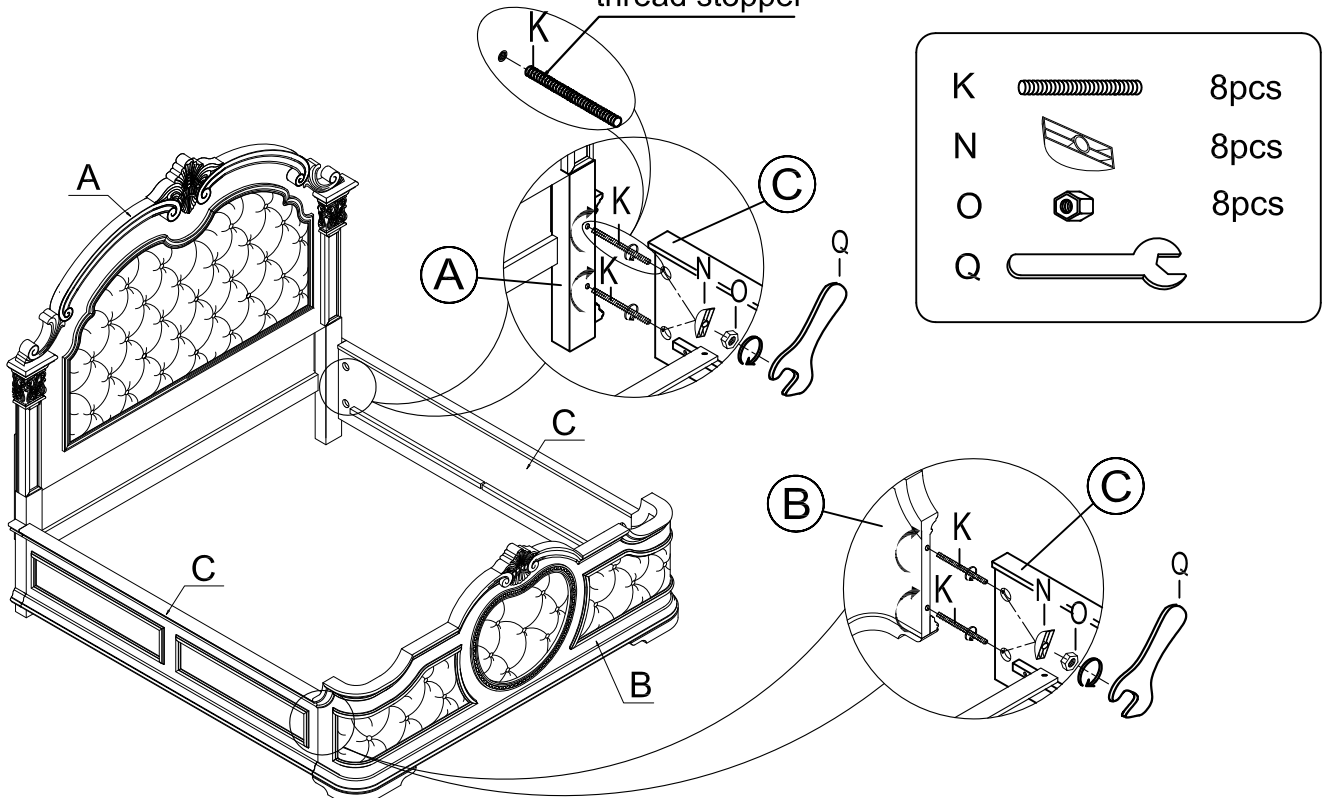
For items use on wooden floor, hard surfaces or carpets, it is recommended to install protective pads under all legs and supports to avoid/prevent from damages/scratches and discoloration.

Made in Vietnam

1 Attach the HB post LSF & RSF (E), support bar (F) and cross bar (G) to the headboard (A) with 8 pcs bolt (J) and 4 pcs bolt (I), 12 pcs flat washer (L), 12 pcs spring washer (M) tighten using allen key (P).



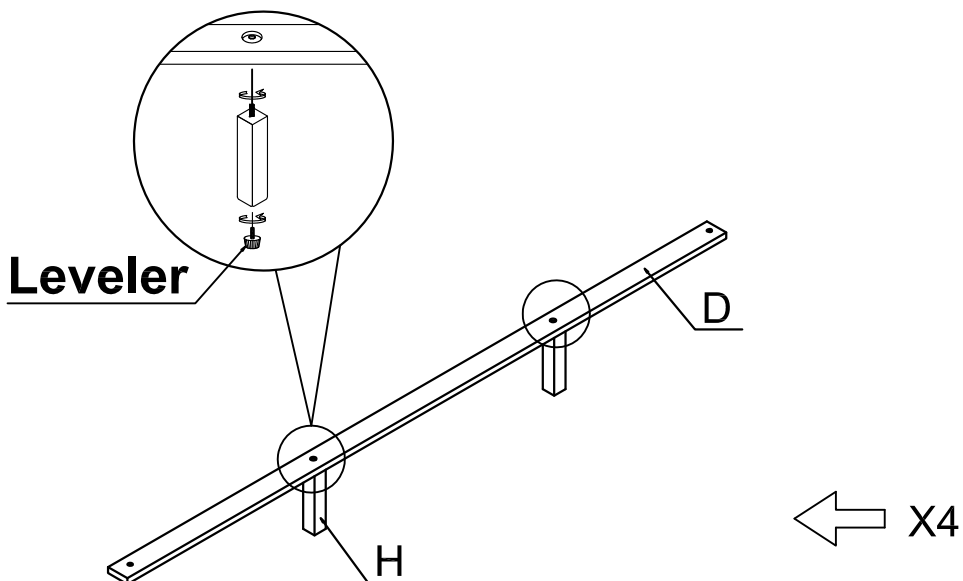
2 Attach the rails (C) to the headboard (A) and footboard (B) with 8 pcs threaded bolt (K), 8 pcs half round washer (N) and 8 pcs hex nut (O) tighten using wrench (Q).



Made in Vietnam

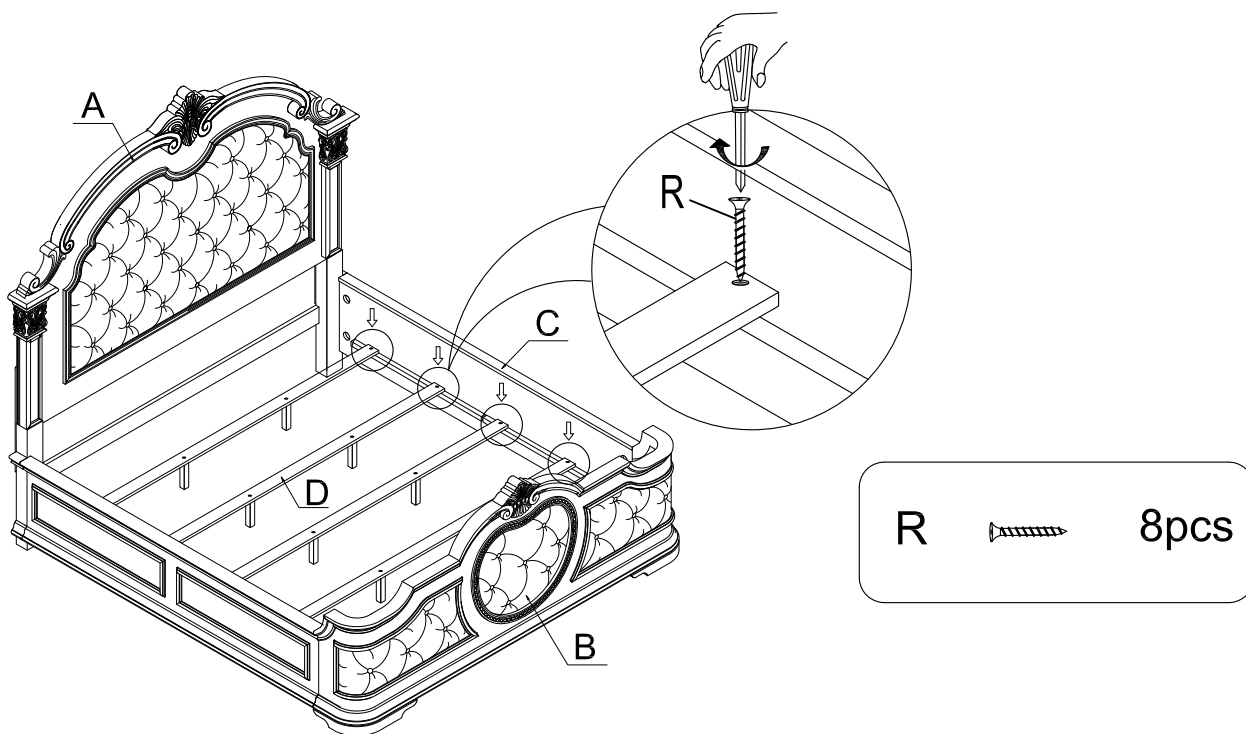
3

Attach the wooden support leg (H) by inserting them into the holes in the slats (D). You may adjust the floor leveler on the bottom as needed.



4

Attach the Slat (D) to the bed rails using the screw (R) provided as shown.



Cleaning & Care

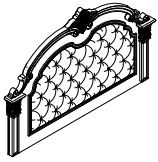
Treat surface with care. Clean surfaces with a dry or damp soft cloth. Do not use abrasive cleaners. Hardware may loosen over time. Periodically check that all connections are tight.

Made in Vietnam

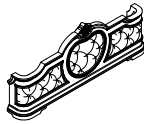
ASSEMBLY INSTRUCTION

Item#1919KNC-1/1919KNC-2/1919KNC-3CK: Cal-King bed

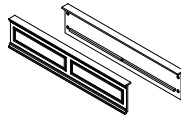
- Ⓐ Headboard Ⓑ Footboard Ⓒ Side rail Ⓓ Slat Ⓔ HB Post LSF & RSF



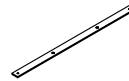
1pc



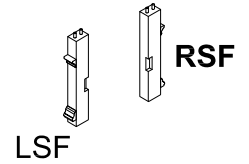
1pc



2pcs



4pcs

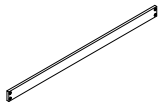


2pcs

- Ⓕ Support bar Ⓖ Cross bar Ⓗ Support leg Ⓘ Bolt $\Phi 5/16"$ x1-1/2" Ⓝ Bolt $\Phi 5/16"$ x1-3/4" Ⓚ Threaded bolt ($\Phi 5/16"$ x3-1/2") Ⓛ Flat washer ($\Phi 5/16"$ x $\Phi 19$ mm)



2pcs



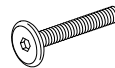
1pc



8pcs



4pcs



8pcs



8pcs



12pcs

- Ⓜ Spring washer ($\Phi 5/16"$) Ⓝ Half round washer ($\Phi 5/16"$) Ⓞ Hex nut ($\Phi 5/16"$) Ⓟ Allen key (5mm) Ⓠ Wrench (12mm) Ⓡ Screw $\Phi 8$ x 1-1/4"



12pcs



8pcs



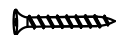
8pcs



1pc

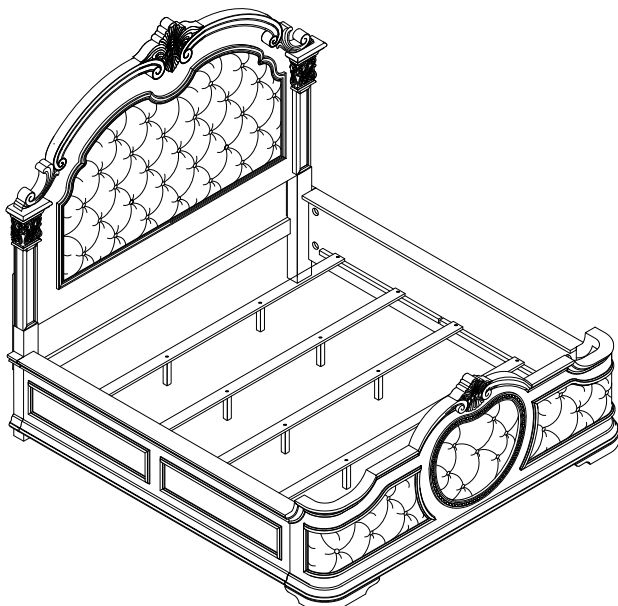


1pc



8pcs

Note: Hardware pack is in 1919KNC-1



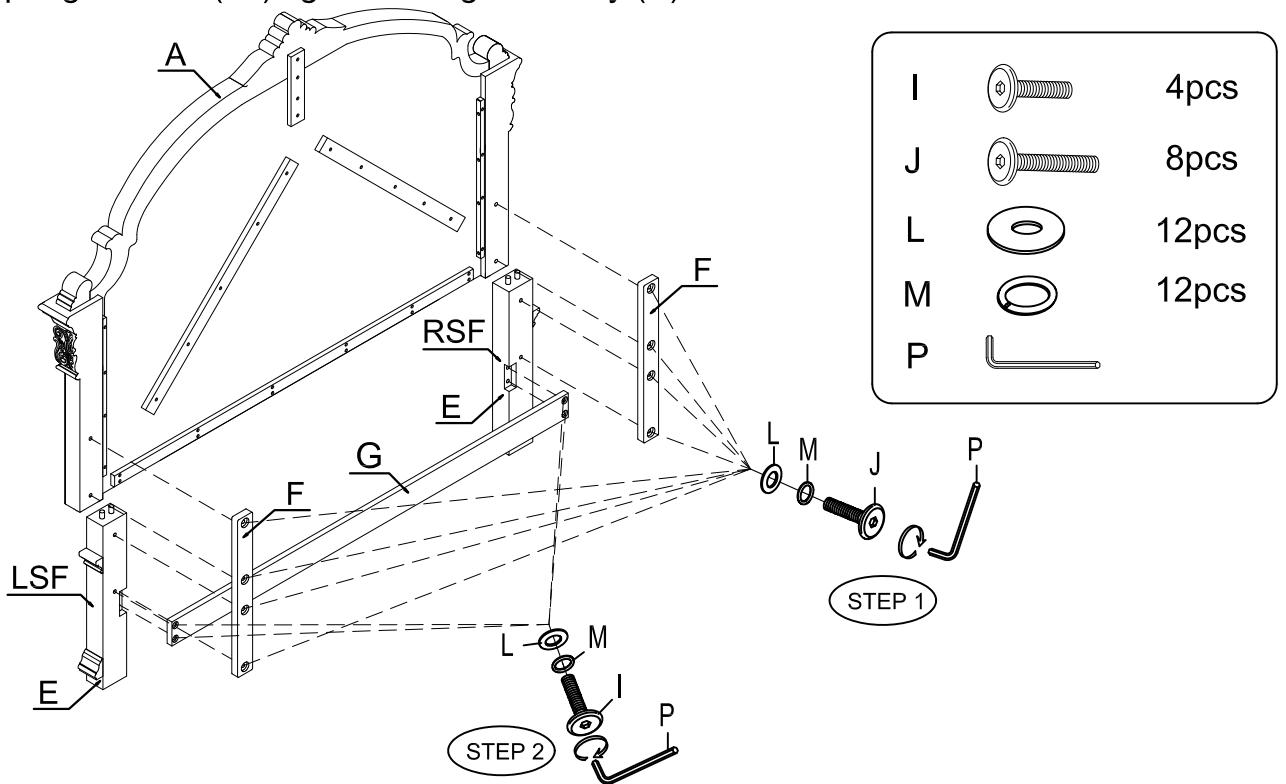
This page lists all the contents included in the box. Please take time to identify the hardware as well as the individual components to this product. As you unpack and prepare for assembly, place the contents on a carpeted or padded area to protect them from damage.

! For items use on wooden floor, hard surfaces or carpets, it is recommended to install protective pads under all legs and supports to avoid/prevent from damages/scratches and discoloration.

Made in Vietnam

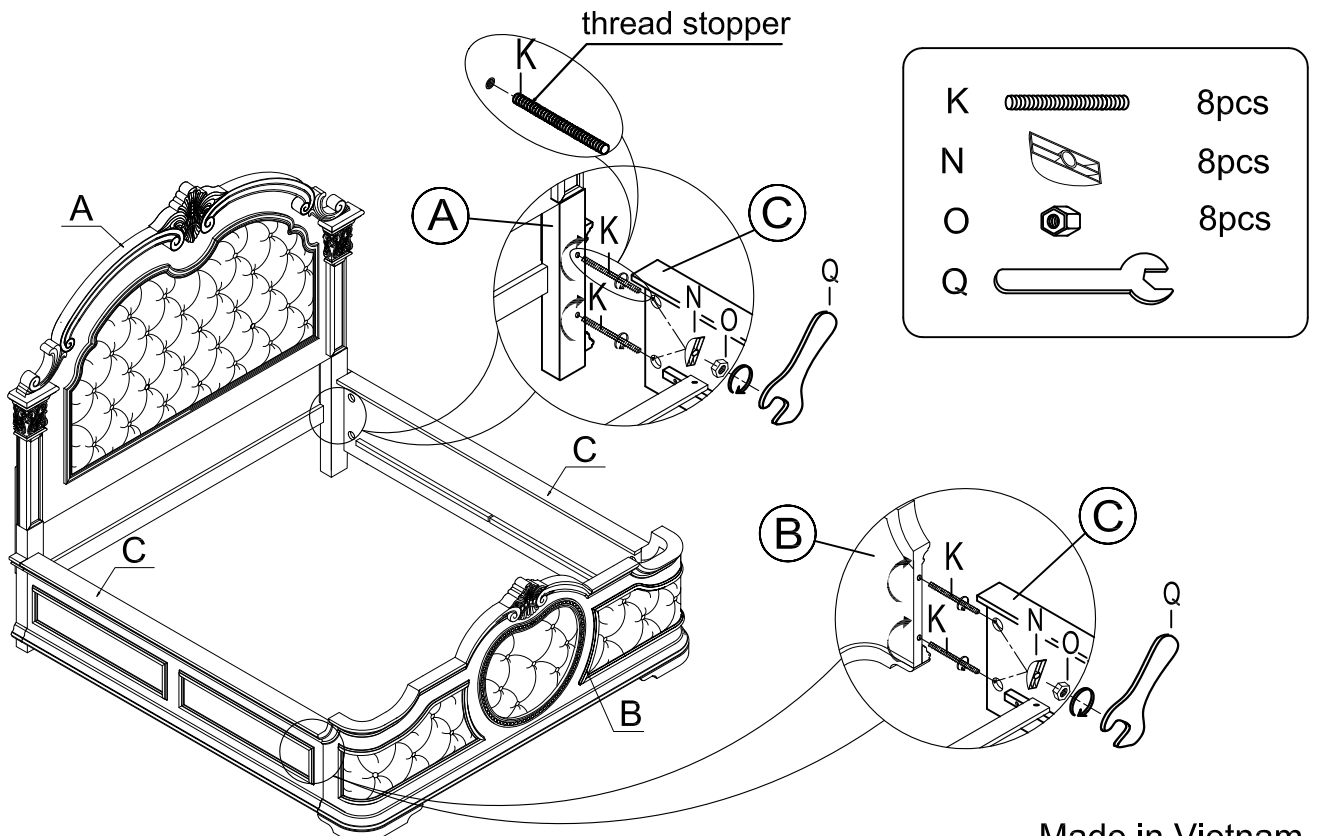
1

Attach the HB post LSF & RSF (E), support bar (F) and cross bar (G) to the headboard (A) with 8 pcs bolt (J) and 4 pcs bolt (I), 12 pcs flat washer (L), 12 pcs spring washer (M) tighten using allen key (P).



2

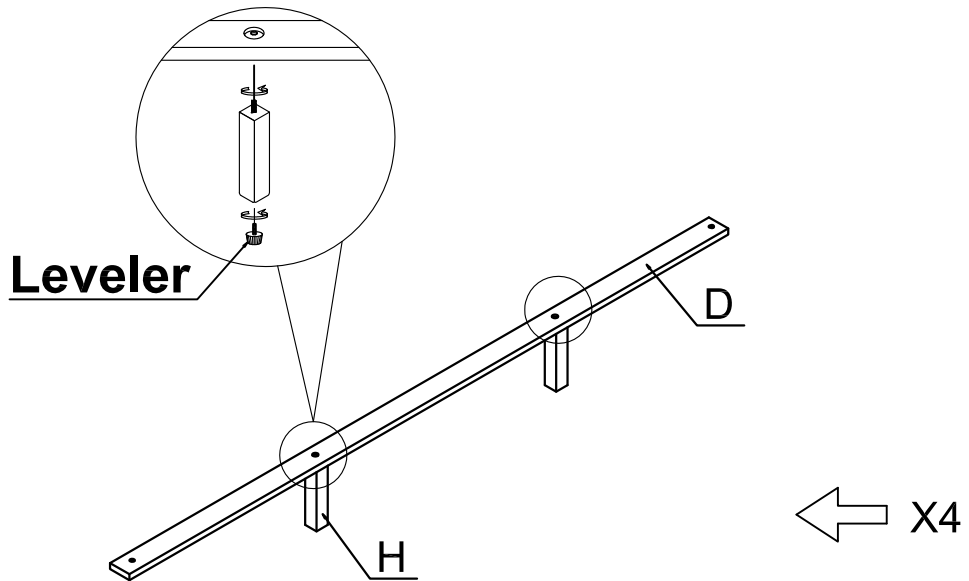
Attach the rails (C) to the headboard (A) and footboard (B) with 8 pcs threaded bolt (K), 8 pcs half round washer (N) and 8 pcs hex nut (O) tighten using wrench (Q).



Made in Vietnam

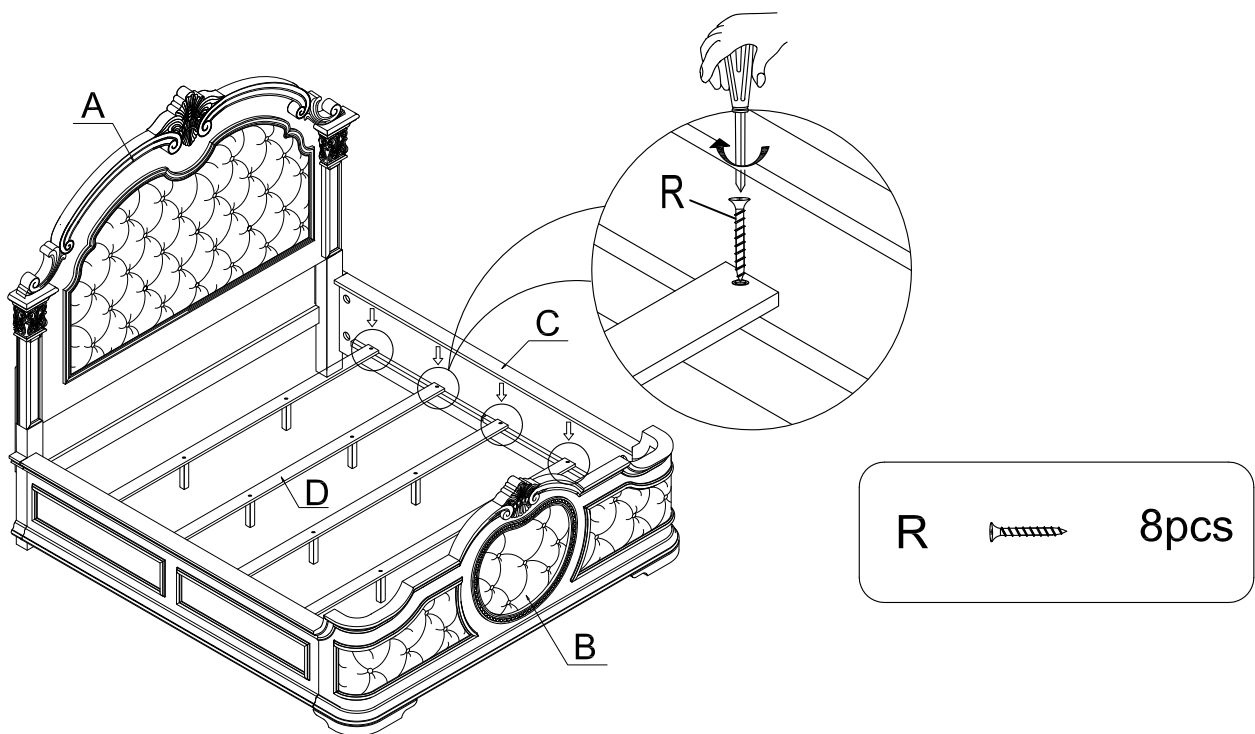
3

Attach the wooden support leg (H) by inserting them into the holes in the slats (D). You may adjust the floor leveler on the bottom as needed.



4

Attach the slat (D) to the bed rails using the screw (R) provided as shown.



Cleaning & Care

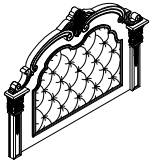
Treat surface with care. Clean surfaces with a dry or damp soft cloth. Do not use abrasive cleaners. Hardware may loosen over time. Periodically check that all connections are tight.

Made in Vietnam

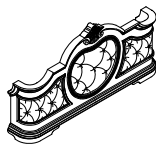
ASSEMBLY INSTRUCTION

Item#1919NC-1/1919NC-2/1919NC-3: Queen bed

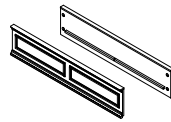
- Ⓐ Headboard Ⓑ Footboard Ⓒ Side rail Ⓓ Slat Ⓔ HB Post LSF & RSF



1pc



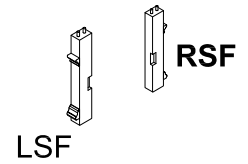
1pc



2pcs



4pcs

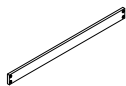


2pcs

- Ⓕ Support bar Ⓖ Cross bar Ⓗ Support leg Ⓘ Bolt $\Phi 5/16"$ x1-1/2" Ⓝ Bolt $\Phi 5/16"$ x1-3/4" Ⓚ Threaded bolt ($\Phi 5/16"$ x3-1/2") Ⓛ Flat washer ($\Phi 5/16"$ x $\Phi 19$ mm)



2pcs



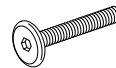
1pc



4pcs



4pcs



8pcs



8pcs



12pcs

- Ⓜ Spring washer ($\Phi 5/16"$) Ⓝ Half round washer ($\Phi 5/16"$) Ⓞ Hex nut ($\Phi 5/16"$) Ⓟ Allen key (5mm) Ⓠ Wrench (12mm) Ⓡ Screw $\Phi 8$ x 1-1/4"



12pcs



8pcs



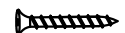
8pcs



1pc

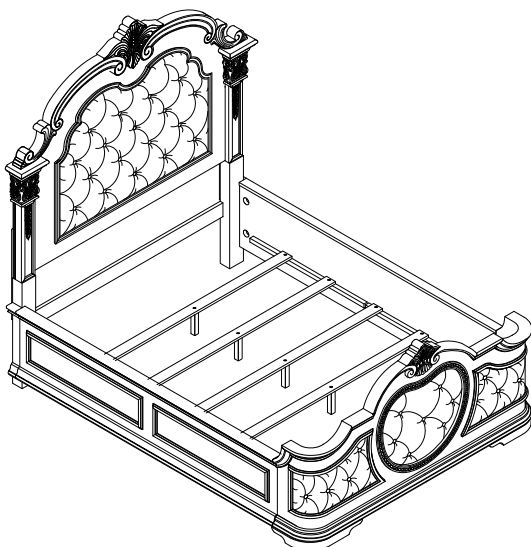


1pc



8pcs

Note: Hardware pack is in 1919NC-1



This page lists all the contents included in the box. Please take time to identify the hardware as well as the individual components to this product. As you unpack and prepare for assembly, place the contents on a carpeted or padded area to protect them from damage.

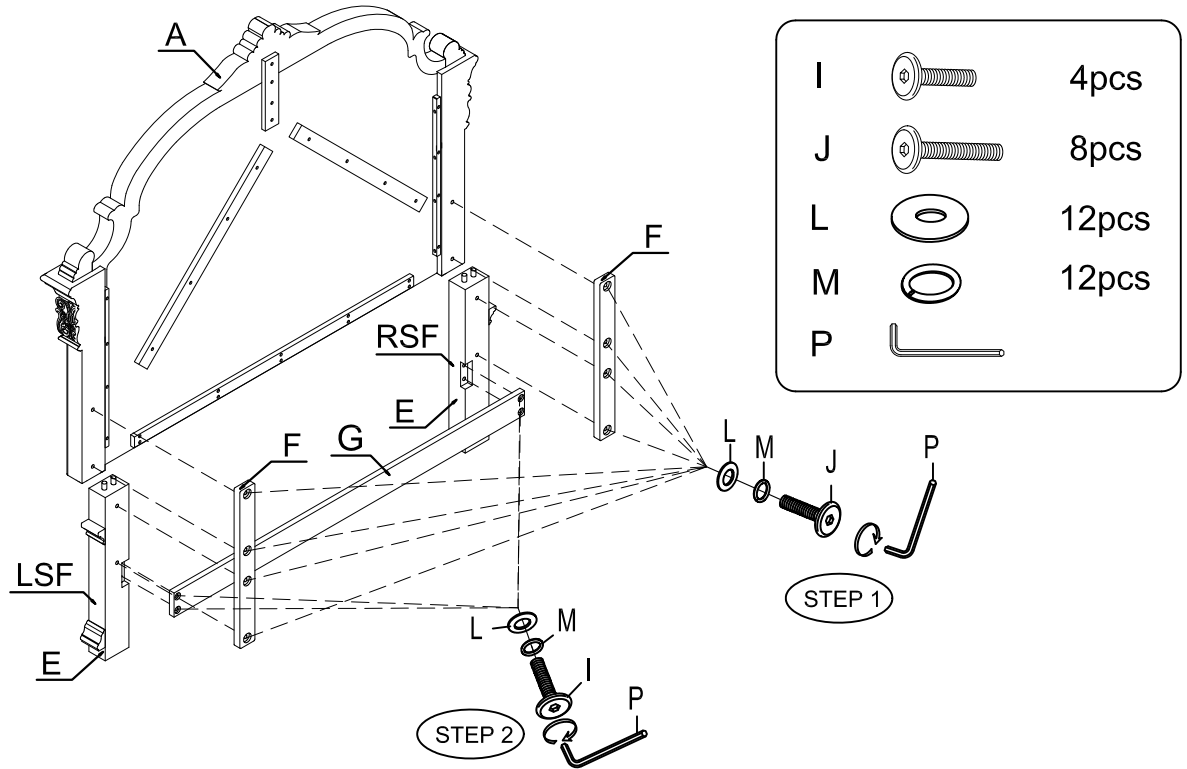


For items use on wooden floor, hard surfaces or carpets, it is recommended to install protective pads under all legs and supports to avoid/prevent from damages/scratches and discoloration.

Made in Vietnam

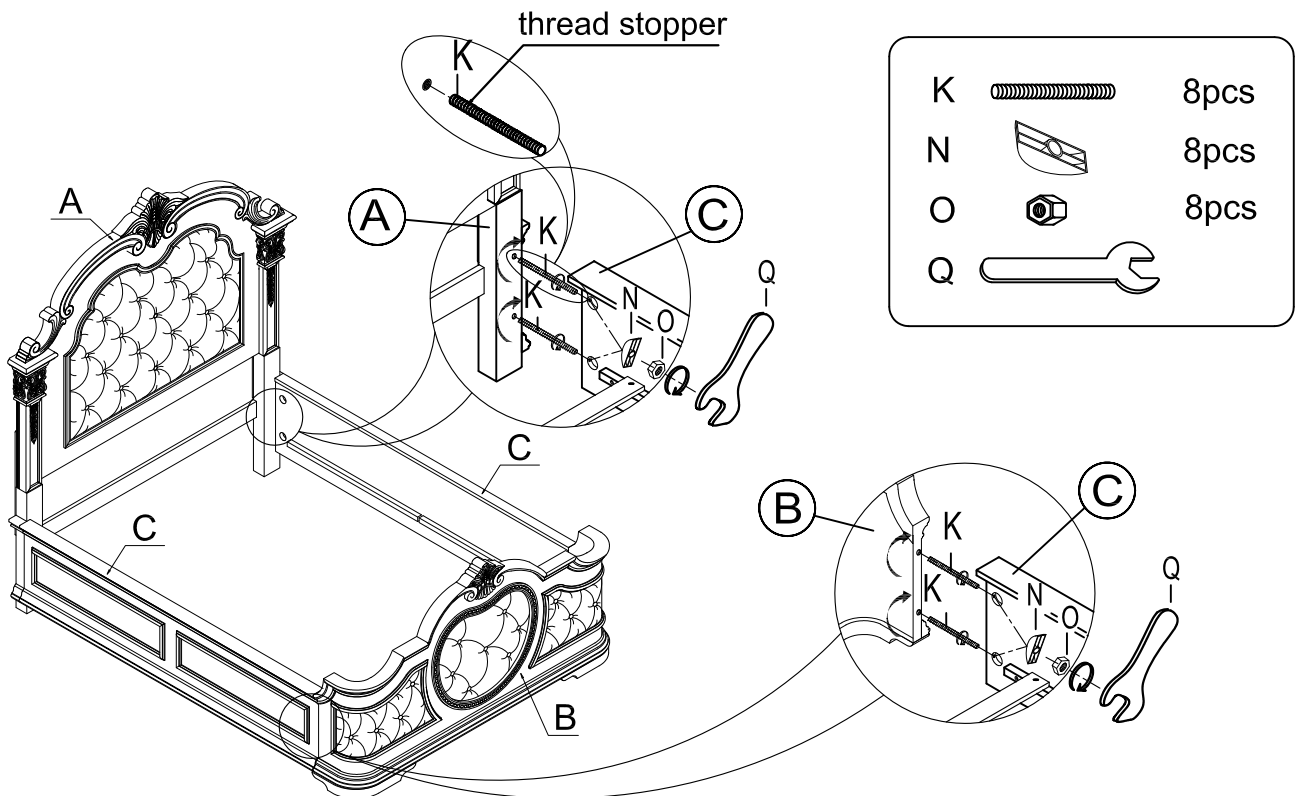
1

Attach the HB post LSF & RSF (E), support bar (F) and cross bar (G) to the headboard (A) with 8 pcs bolt (J) and 4 pcs bolt (I), 12 pcs flat washer (L), 12 pcs spring washer (M) tighten using allen key (P).



2

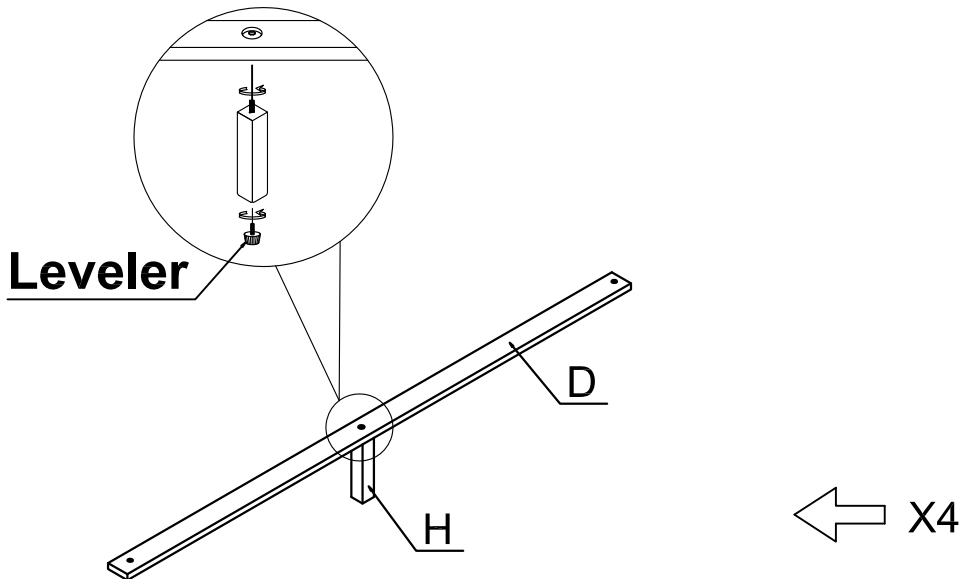
Attach the rails (C) to the headboard (A) and footboard (B) with 8 pcs threaded bolt (K), 8 pcs half round washer (N) and 8 pcs hex nut (O) tighten using wrench (Q).



Made in Vietnam

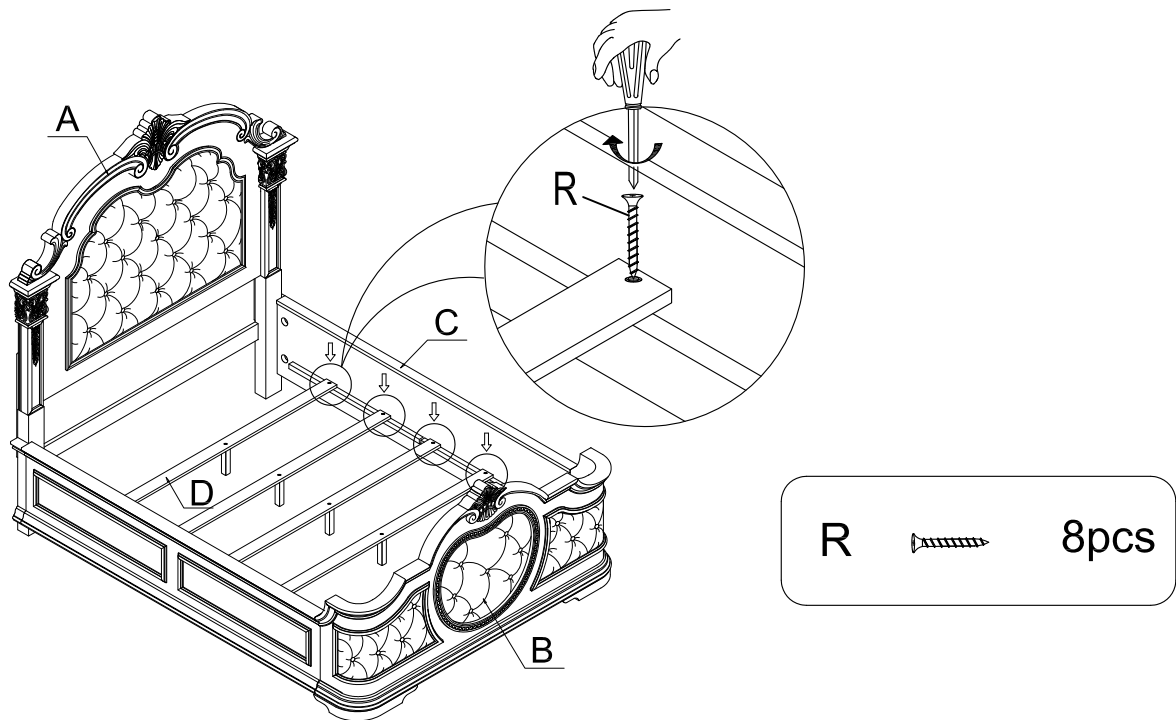
3

Attach the wooden support leg (H) by inserting them into the holes in the slats (D). You may adjust the floor leveler on the bottom as needed.



4

Attach the slat (D) to the bed rails using the screw (R) provided as shown.



Cleaning & Care

Treat surface with care. Clean surfaces with a dry or damp soft cloth. Do not use abrasive cleaners. Hardware may loosen over time. Periodically check that all connections are tight.

Made in Vietnam