



H O M E E L E G A N C E

ITEM NO:3674-30

LIFT TOP COCKTAIL TABLE

Thank you for purchasing this quality product. Be sure to check all packing material carefully for small parts which may have come loose inside the carton during shipment. Identify and count all parts and compare with the Parts List below.



For items use on wooden floor, hard surfaces or carpets, it is recommended to Install protective pads under all legs and supports to avoid/ prevent from damages/ scratches and discoloration.

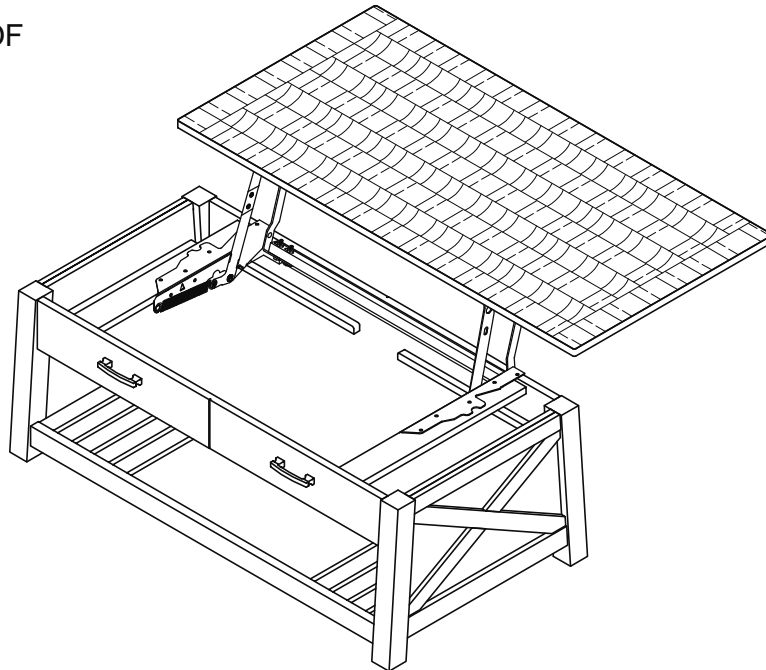


Pour les articles Utilisés sur un plancher en bois, des surfaces dures ou tapis, il est recommandé d'installer des mordaches de protection sous tous les jambes et prend en charge pour éviter/empêcher de dommages/rayures et la décoloration.

### CAUTION!

Do not allow children to play on the mechanized furniture or operate the mechanism. Top surfaces fold down on closing, so that a child could possibly be injured. Always leave furniture in the closed position when unattended. To prevent the table from tipping over, do not place more than 30 pounds on the top when in the open position.

KEEP HANDS CLEAR OF MECHANISM.



MADE IN VIETNAM