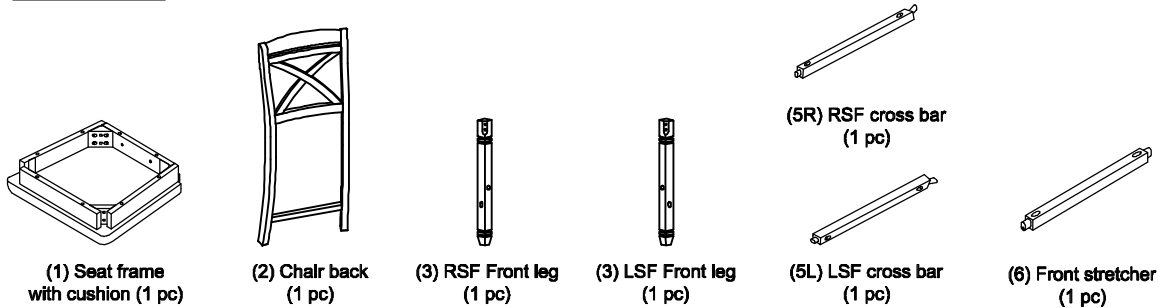




# ASSEMBLY INSTRUCTION

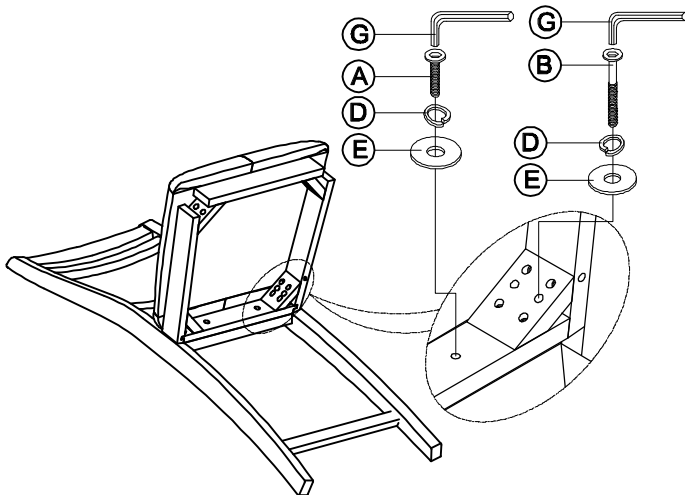
## 5705BK-24 COUNTER HEIGHT CHAIR

### PART LIST:

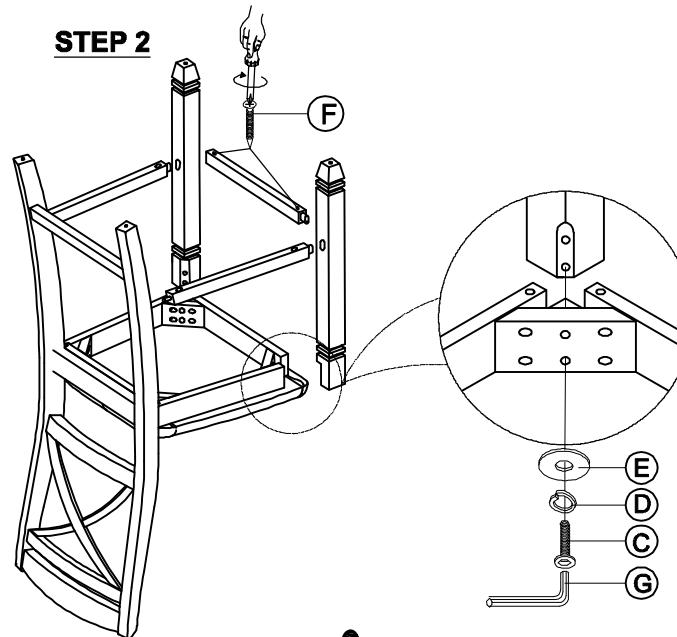


HARDWARE LIST				
A		Short Bolt	Ø1/4" x L40 mm	2 pcs
B		Long Bolt	Ø1/4" x L75 mm	4 pcs
C		Medium Bolt	Ø1/4" x L60 mm	4 pcs
D		Lock Washer	Ø5/16"	10 pcs
E		Flat Washer	Ø5/16" x 13 mm	10 pcs
F		Screw	Ø1/8" x 38 mm	6 pcs
G		L - Allen Key	4*59 mm	1 pc

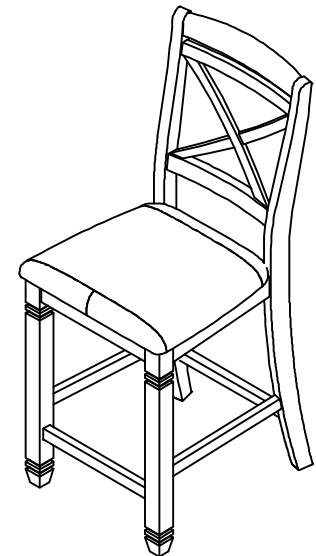
### STEP 1



### STEP 2



### COMPLETED



- (1) Align the seat to the chair back, insert the bolt and washer to pre-drilled holes and tighten it.
- (2) Attach side stretcher to chair back then attach front legs (L & R) to side stretchers (L & R) and seat cushion, insert the nut and washer then tighten front chair to cushion seat. Insert screws to stretcher then tighten by using screwdriver (not provide).

For items use on wooden floor, hard surfaces or carpets, it is recommended to install protective pads under all legs and supports to avoid/ prevent from damages/ scratches and discoloration.