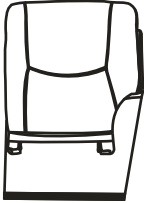
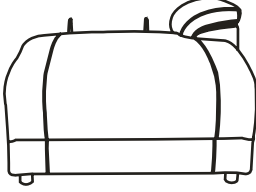




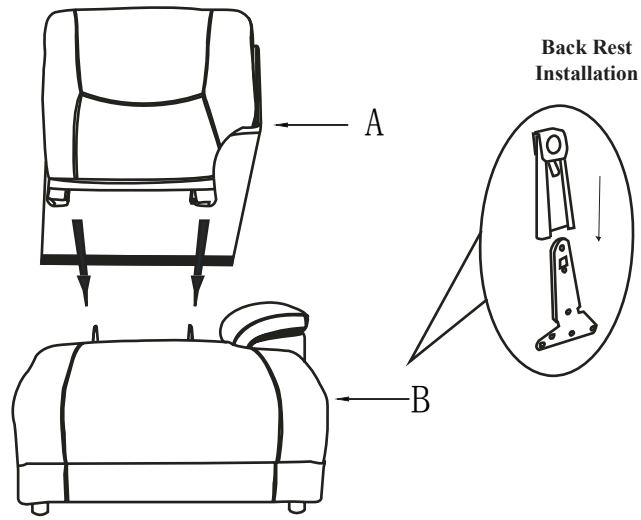
Assembly Instruction
Right Side Chaise, Push Back Recliner
ITEM NO.: 8490GRY/BRW-RC

NOTE: Do not use power tools for assembly. Power tools increase the risk of over tightening which leads to splitting or cracking the wood.

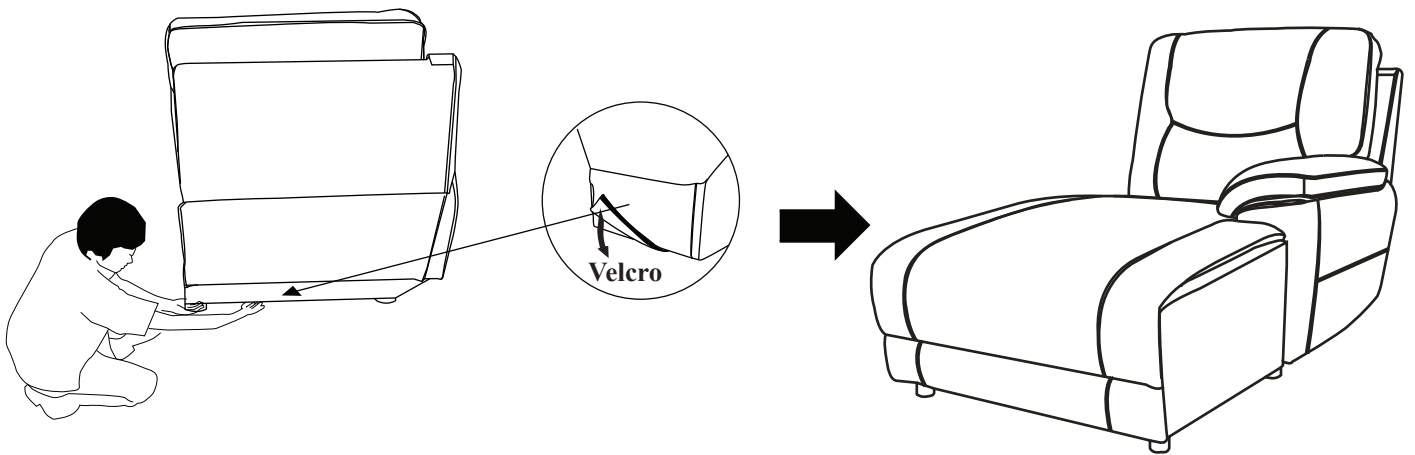
COMPONENT LIST (CHAIR)

| NO. | DRAWING | QTY | DESCRIPTION |
|----------|--|-------------|------------------|
| A |  | 1 PC | BACK REST |
| B |  | 1 PC | SEAT |

STEP#1

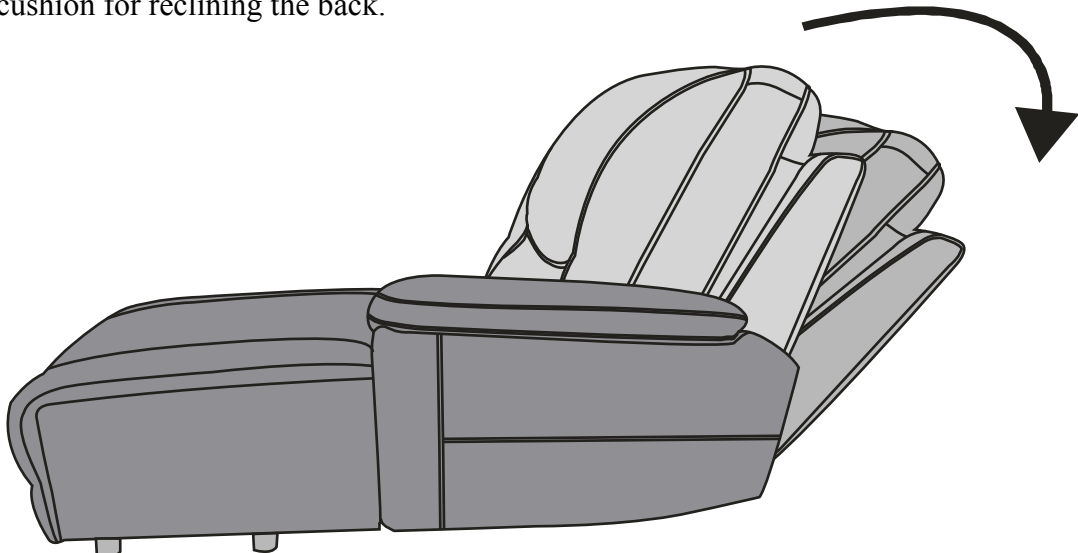


STEP#2

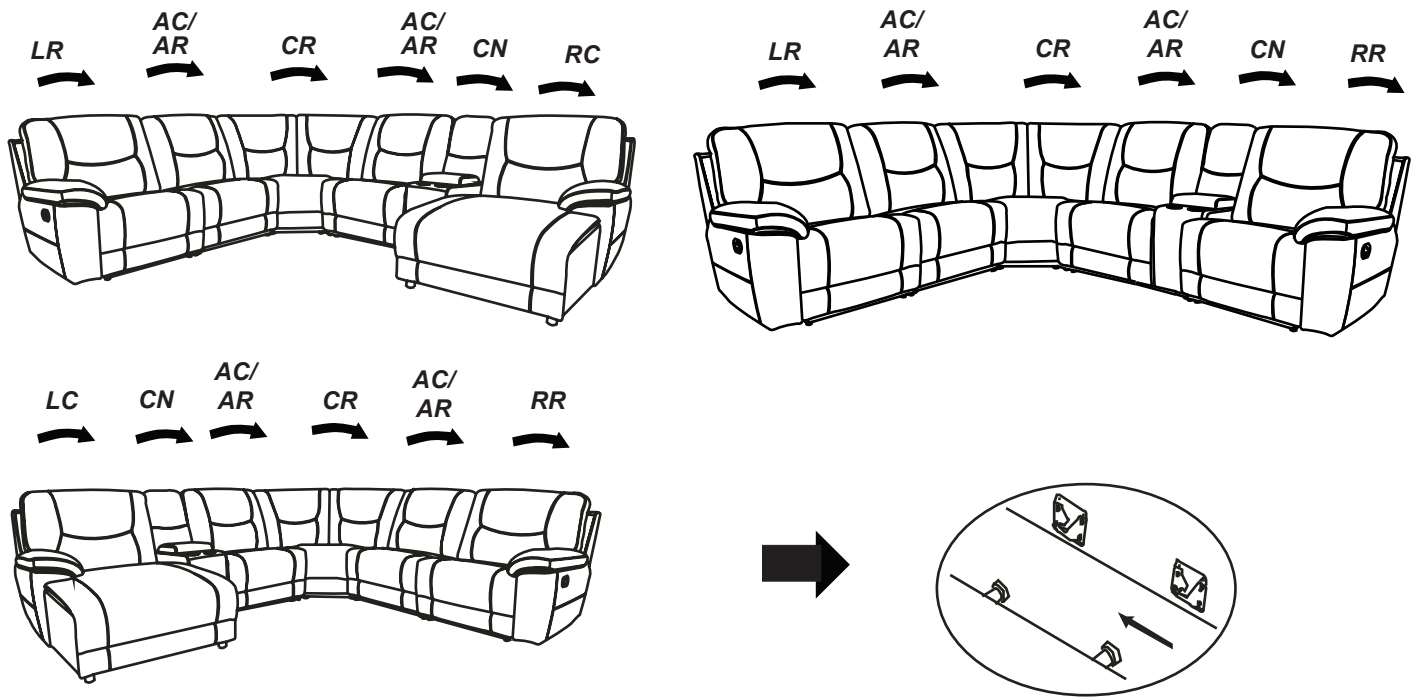


STEP#3

Pushing the back cushion for reclining the back.



STEP#4



CARE INSTRUCTION FOR POLYESTER:

In order to maintain the original appearance of your polyester furniture, please follow below simple care procedure :

- Avoid exposing furniture directly to sunlight or heating and air conditioning outlets. Exposure to sunlight or heating and air conditioning outlets will fade/damage polyester.
- Wipe gently with a damp soft cloth to remove dust, dirt and any grime build up.