

Assembly Instruction

ITEM NO.: 9259 -RC

9259-LL

9259-RC : (2/2) Reversible Chaise with Hidden Storage
(Chaise arms are stored in LL)

9259-LL : (1/2) Reversible 2-Seater with Pull-out Bed
(Back rest is stored in RC)

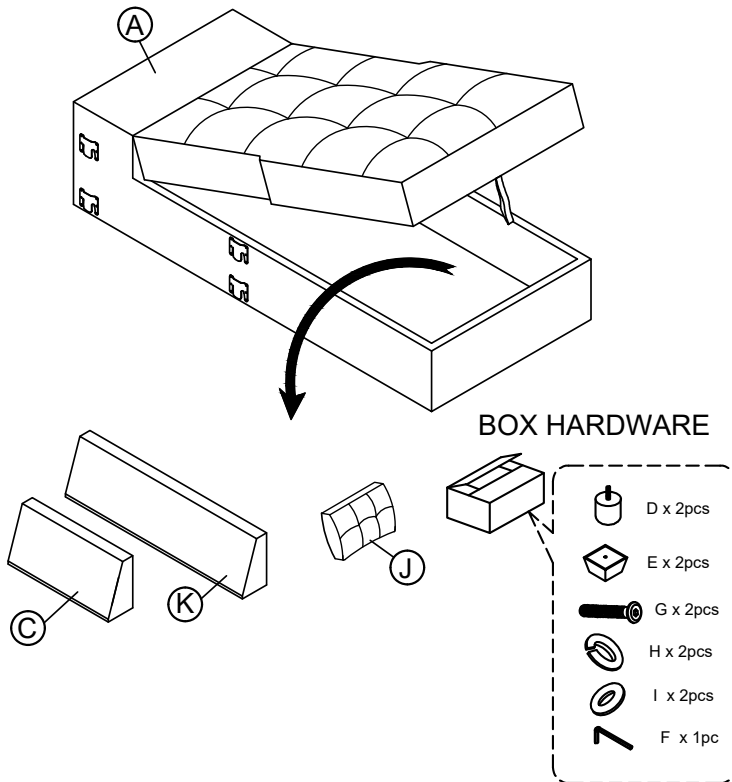


Legs and hardware are stored in the box, please take out for assembly

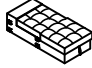
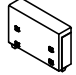



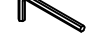




NOTE: Do not use power tools for assembly. Power tools increase the risk of over tightening which lead to splitting or cracking the wood.

STEP 1

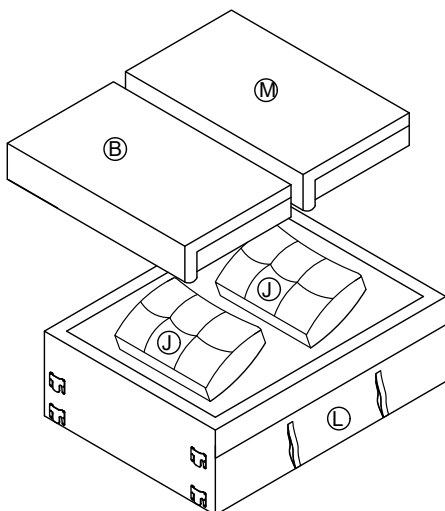
RC



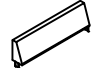



PARTS LIST -RC

No.	Description	Diagram	Quantity
A	Chaise Seat Frame		1
B	Chaise Arm (PACKED in LL)		1
C	Chaise Back Rest		1
D	Rear Plastic Leg (50x50x50MM)		2
E	Front Wooden Leg (90x90x50MM)		2
F	Allen Wrench M4		1
G	Bolt 5/16"-18 x 1-3/4" L		2
H	Lock Washer ø5/16"		2
I	Flat Washer ø5/16"		2
J	Back Cushion		1

LL



PARTS LIST -LL

No.	Description	Diagram	Quantity
K	Love Seat Back Rest (PACKED in RC)		1
L	Love Seat Seat Frame		1
M	Love Seat Arm		1
J	Back Cushion		2

Assembly Instruction

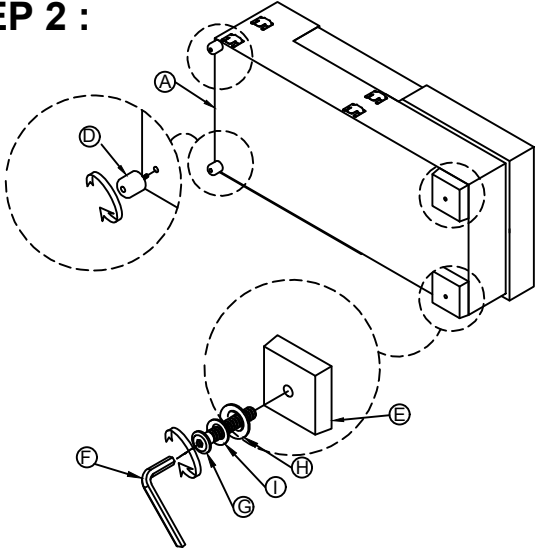
ITEM NO.: 9259 -RC

9259-LL

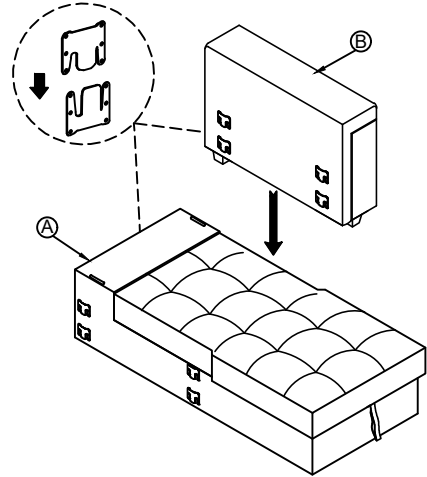
9259-RC : (2/2) Reversible Chaise with Hidden Storage
(Chaise arms are stored in LL)

9259-LL : (1/2) Reversible 2-Seater with Pull-out Bed
(Back rest is stored in RC)

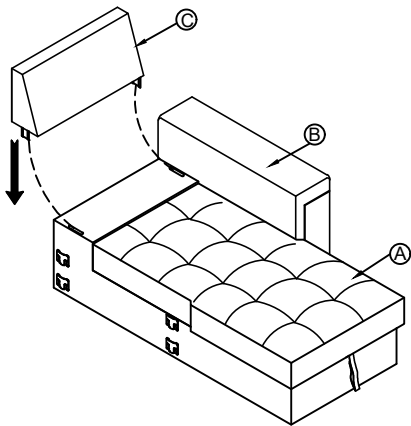
STEP 2 :



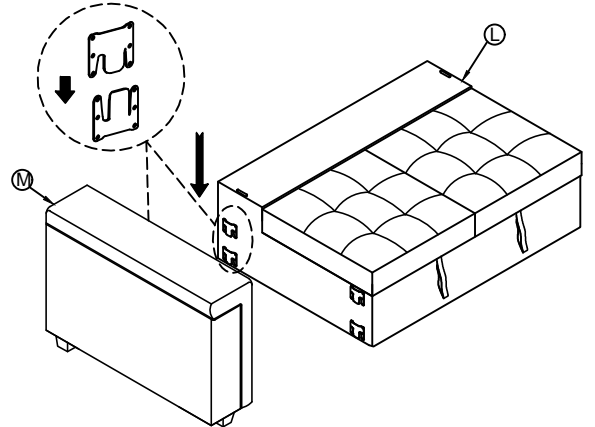
STEP 3 :



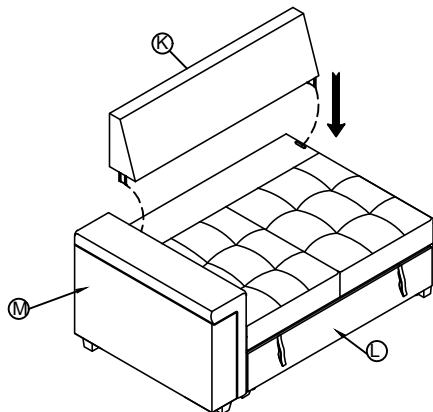
STEP 4 :



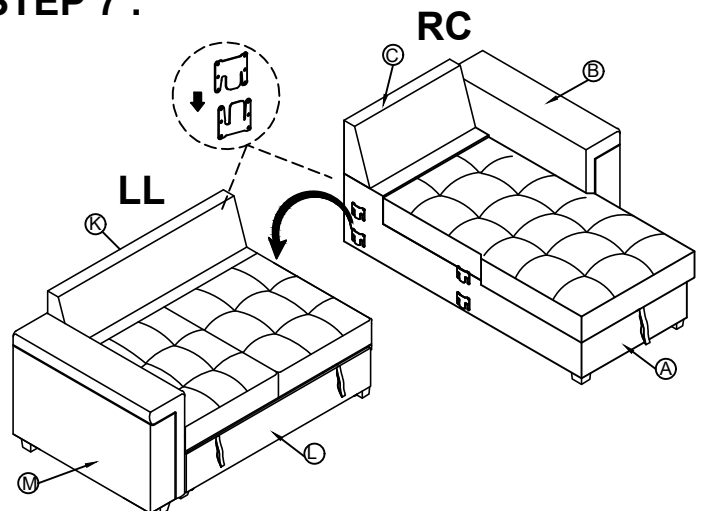
STEP 5 :



STEP 6 :



STEP 7 :





H O M E E L E G A N C E

Assembly Instruction

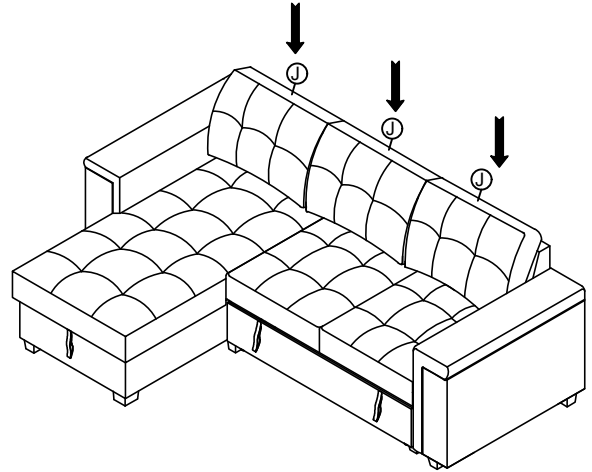
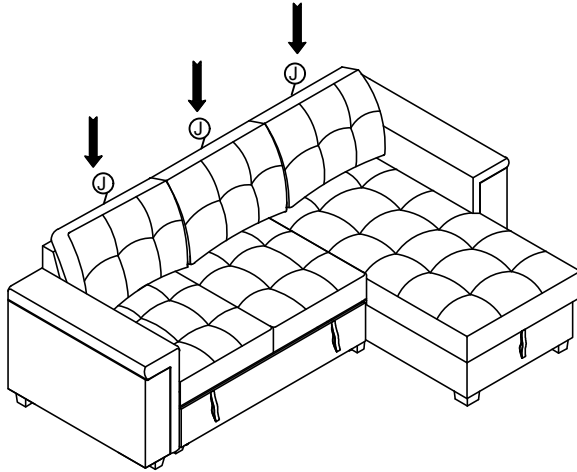
ITEM NO.: 9259- RC

9259-LL

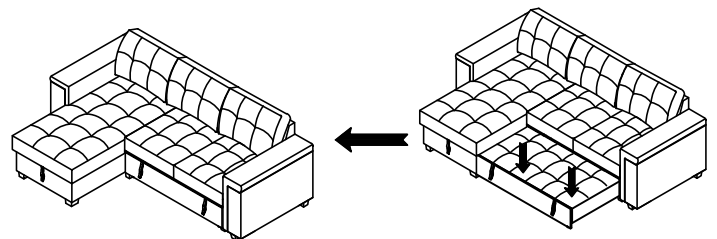
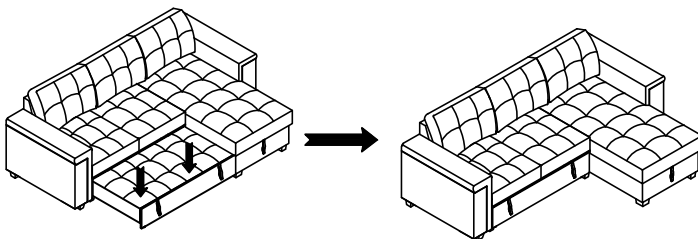
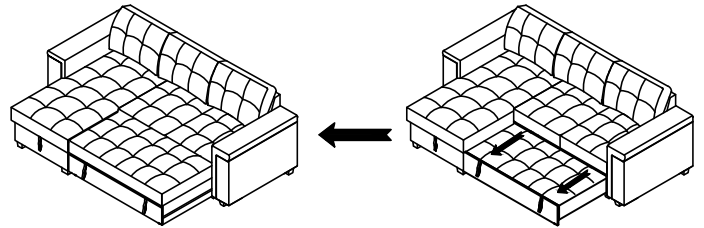
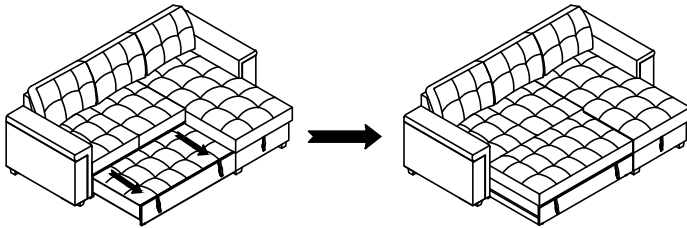
9259-RC : (2/2) Reversible Chaise with Hidden Storage
(Chaise arms are stored in LL)

9259-LL : (1/2) Reversible 2-Seater with Pull-out Bed
(Back rest is stored in RC)

STEP 8 :



STEP 9 :



Care Instruction for Chenille Furniture:

In order to maintain the original appearance of your Chenille Furniture, please follow below simple care procedures:

- Avoid exposing furniture directly to sunlight or heating and air conditioning outlets. Sunlight and or exposure to heating and airconditioning outlets.

Sunlight and or exposure to heating and air conditioning outlets will fade/damage Chenille.

- Vacuum or wipe with a soft cloth to remove dust.

- Hardware may loosen over time. Periodically check to make sure all connection are tight, Re-tighten if necessary.



For items use on wooden floor, hard surfaces or carpets, it is recommended to Install protective pads under all legs and supports to avoid/prevent from damages/scratches and discoloration.