



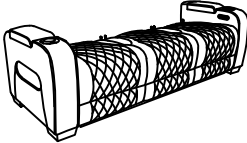



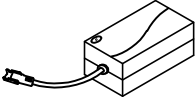


Assembly Instruction

ITEM NO.: 9516BRW/BLK/TPE-3PWH

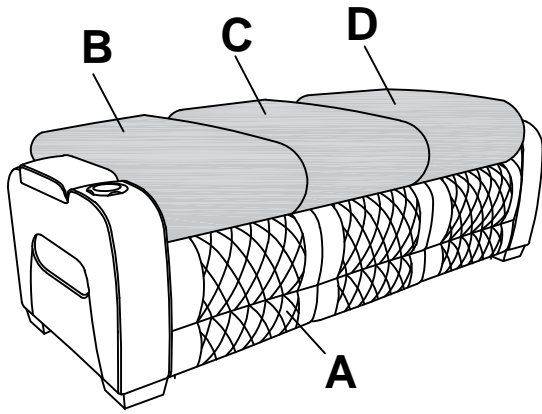
Power Double Reclining Sofa with Center
Drop-Down Cup Holders, Power Headrests

Note: Do not use power tools for assembly. Power tools increase the risk of over tightening which lead to splitting or cracking the wood.

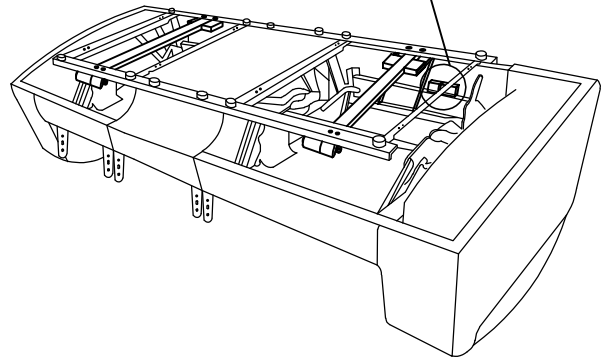
Component list

| No | Drawing | Qty | Description |
|----------|-------------------------------------------------------------------------------------|----------|-------------------------|
| A |  | 1 | SEAT |
| B |  | 1 | LSF BACK REST |
| C |  | 1 | MIDDLE BACK REST |
| D |  | 1 | RSF BACK REST |
| E |  | 1 | ADAPTOR |
| F |  | 1 | PLUG |
| G |  | 1 | PLUG |

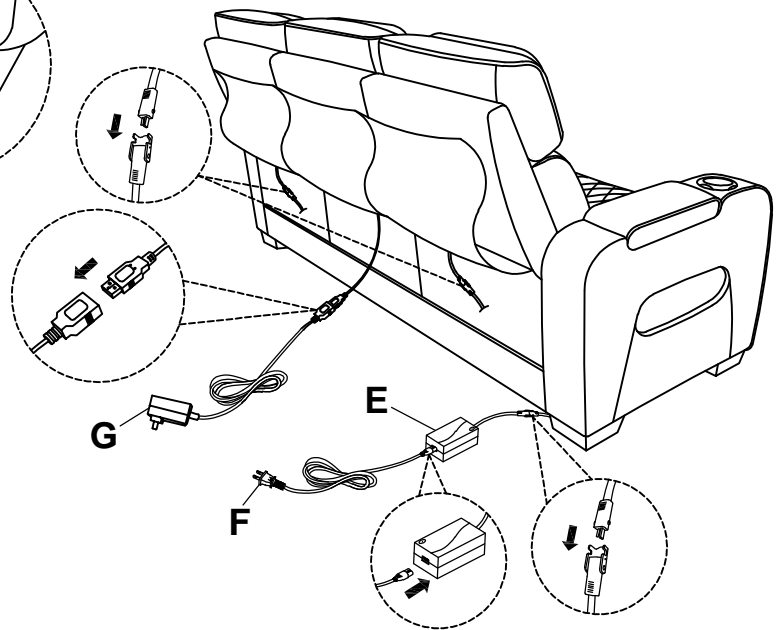
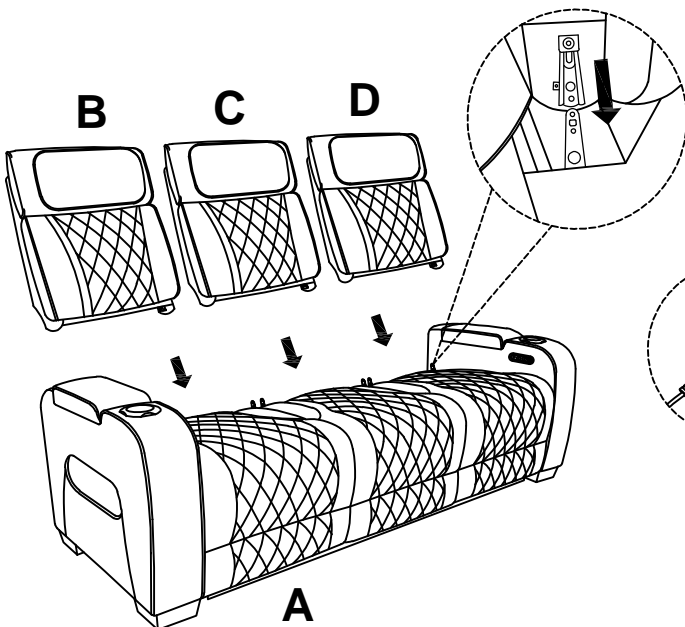
Step #1



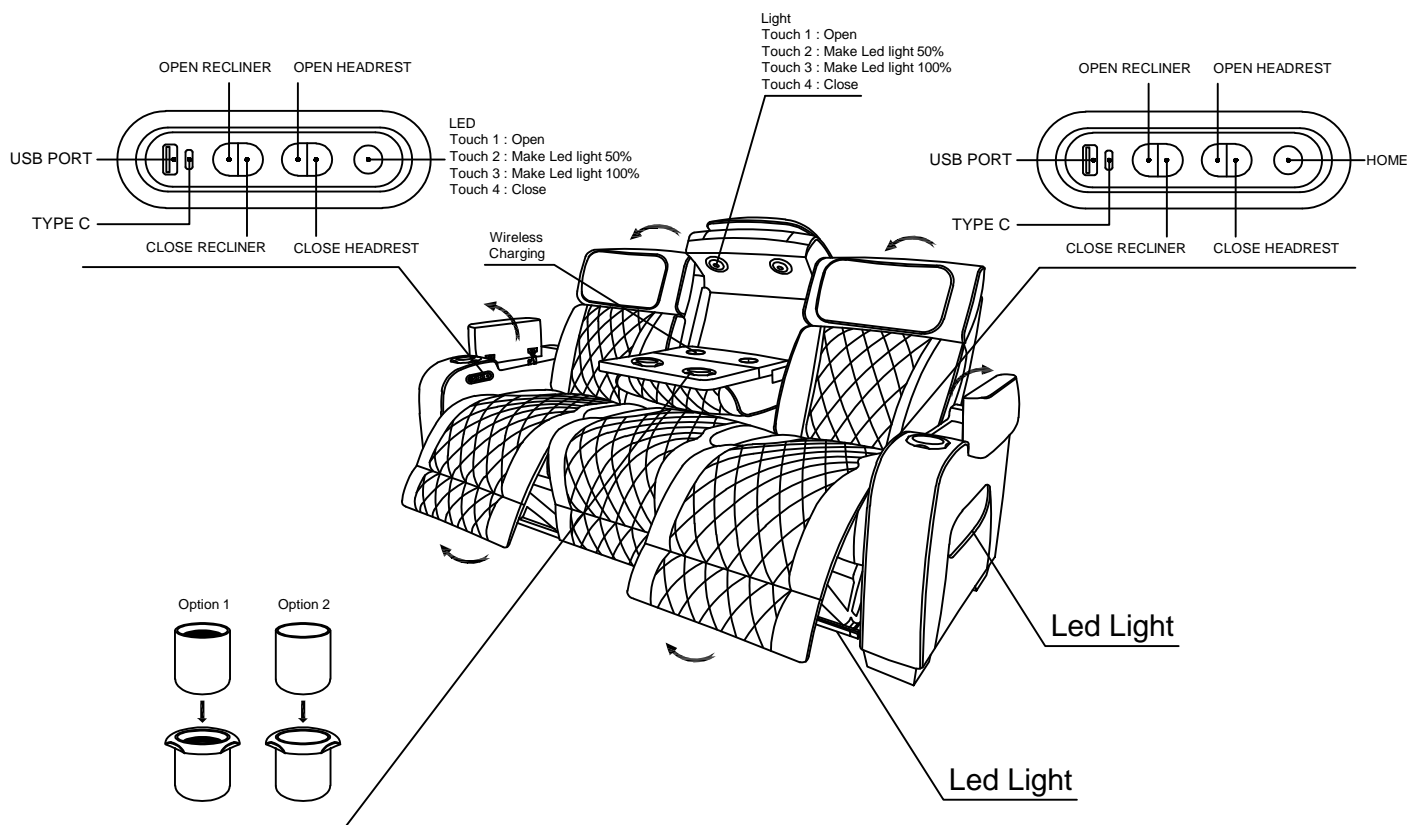
ADAPTOR & PLUG
STORED IN PAPER BOX



Step #2



Step #3



Care Instruction for Genuine Leather match with PVC Furniture:

In order to maintain the original appearance of your Genuine Leather match with PVC, please follow below simple care procedures:

- Avoid exposing furniture directly to sunlight or heating and air conditioning outlets. Sunlight and or exposure to heating and air conditioning outlets will fade/damage Genuine Leather match with PVC.
- Vacuum or wipe with a soft cloth to remove dust.
- Hardware may loosen over time. Periodically check to make sure all connection are tight, Re-tighten if necessary.



For items use on wooden floor, hard surfaces or carpets, it is recommended to Install protective pads under all legs and supports to avoid/prevent from damages/scratches and discoloration.