



H O M E E L E G A N C E

## ASSEMBLY INSTRUCTION INSTRUCTIONS D'ASSEMBLAGE

Item No : B1799-5

Description : DRESSER / BUREAU



### IMPORTANT NOTE :

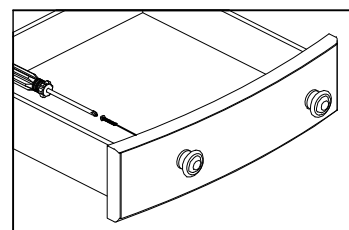
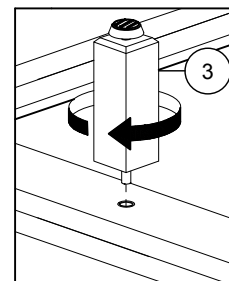
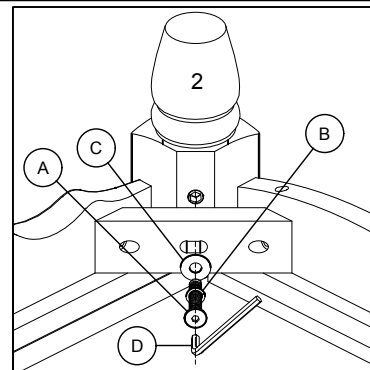
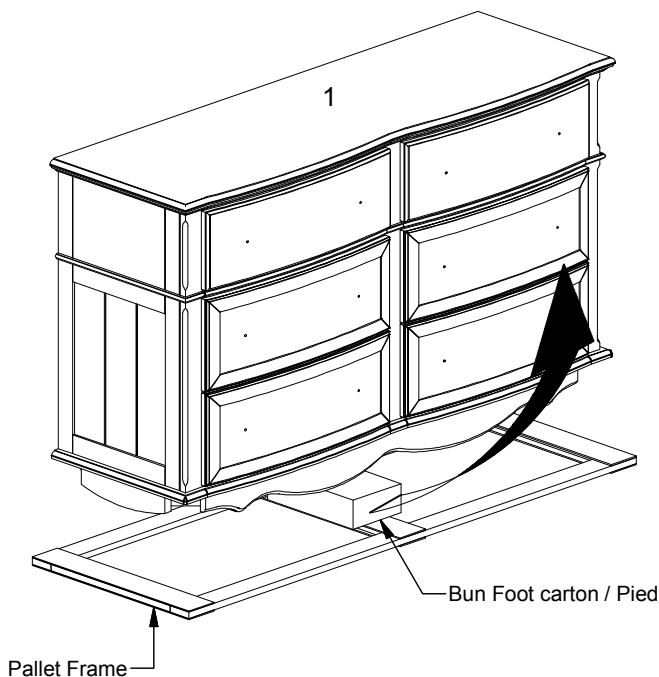
- Place all wooden parts on a clean and smooth surface such as a rug or carpet to avoid the parts from being scratched.
- Check to be sure that you have all parts and hardware.
- Remove all wrapping materials, including staples & packing straps before you start to assemble.
- Do not tighten all screws / bolts until all completely assembled.
- Keep all hardware parts out of reach of children.

PART LIST LISTE DE PIÈCES		
NO	DESCRIPTION	QTY/PCS
1	DRESSER / BUREAU	1 PC
2	BUN FOOT / PIED	4 PCS
3	CENTER SUPPORT LEG / PIED	1 PC

HARDWARE LIST LISTE DE QUINCAILLERIE		
NO	DESCRIPTION	QTY/PCS
A	JCBB SCREW / BOULON M8 x 50	4 PCS
B	SPRING WASHER / RONDELLE D'ARRET M8	4 PCS
C	FLAT WASHER / RONDELLE PLATE 5/16" x 22	4 PCS
D	ALLEN KEY / CLE' ALLEN M5	1 PC

\*HARDWARE SET IS IN B1799-5 FOR ASSEMBLY

NOTE : YOU WILL ALSO NEED A PHILIP SCREWDRIVER (NOT PROVIDED)



Re-assemble handle from inside to outside position.







H O M E E L E G A N C E

## ASSEMBLY INSTRUCTION INSTRUCTIONS D'ASSEMBLAGE

Item No : B1799-5

Description : DRESSER / BUREAU

HARDWARE LIST LISTE DE LA QUINCAILLERIE			
E1	BRACKET / EQUERRE		2 PCS
E2	TIE WRAP / ATTACHE A TETE D'EQUERRE		1 PC
E3	LONGER SCREW / VIS LONGUE		1 PC
E4	SHORT SCREW / VIS COURTE		1 PC

