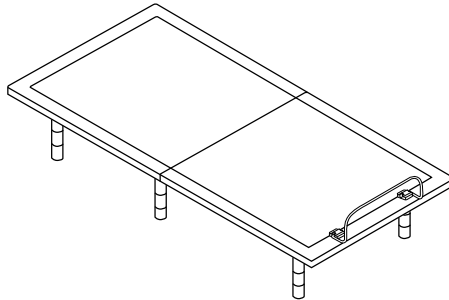


# Assembly Instruction BF-1UP-ET

|             |  |
|-------------|--|
| Item No. :  | Description:   |
| BF-1UP-ET   | Twin XL Wireless Upholstered Adjustable Bed Base                         |
| BF-1UP-CT   | CK Twin Wireless Upholstered Adjustable Bed Base                         |
| BF-1UP-Q    | Queen Wireless Upholstered Adjustable Bed Base                           |
| BF-1UP-EK   | Eastern King Wireless Upholstered Adjustable Bed Base                    |
| BF-1UP-CK   | California King Wireless Upholstered Adjustable Bed Base                 |
| BF-1UP-ET*2 | Split Eastern King Wireless Upholstered Adjustable Bed Base (2-Piece)    |
| BF-1UP-CT*2 | Split California King Wireless Upholstered Adjustable Bed Base (2-Piece) |



## 1. Part Identification

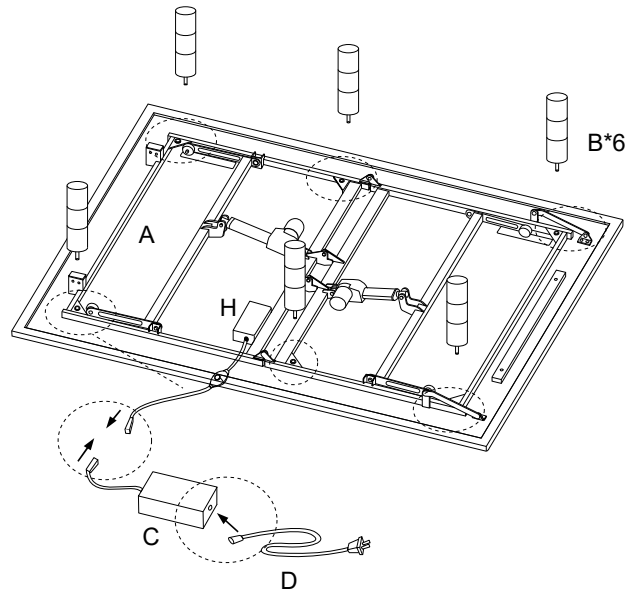


Legs, Retainer Bar(s), Power Supply and Remote Control are in the boxes, please take out all components for assembly. It is tool-less assembly. No tool needed.

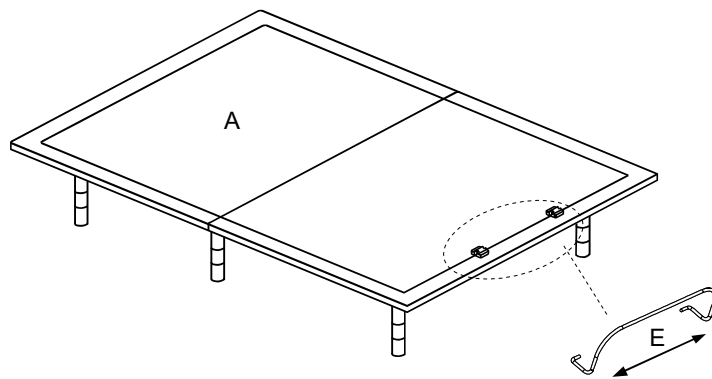
| NO | Drawing | Qty | Description                              |
|----|---------|-----|--|
| A  |         | 1   | Wireless Upholstered Adjustable Bed Base |
| B  |         | 6   | 3 Section Leg                            |
| C  |         | 1   | Adaptor                                  |
| D  |         | 1   | Plug                                     |
| E  |         | 1   | 1 Retainer Bar for ET/CT/Q               |
|    |         | 2   | 2 Retainer Bars for EK/CK                |
| F  |         | 1   | Remote Control                           |
| G  |         | 2   | AAA battery                              |
| H  |         | 1   | Control Box(Pre-assembled)               |

## 2. Assembly Steps

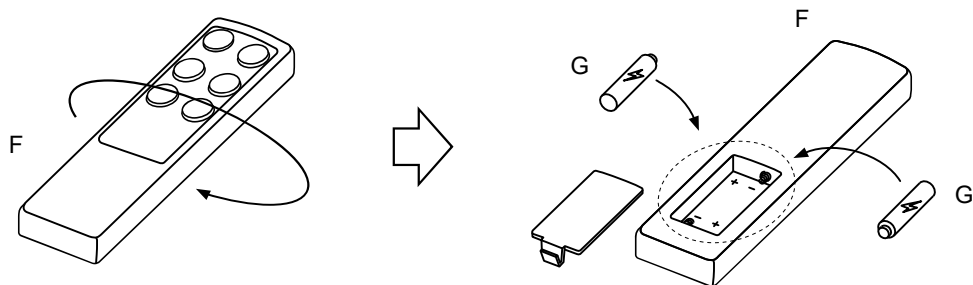
### Step#1



### Step#2



### Step#3



### 3. How to use Remote Control

#### Head-up button

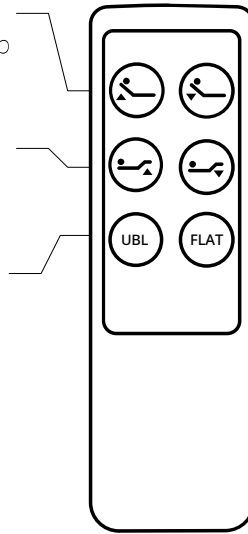
press to adjust the head position up

#### Foot-up button

press to adjust the foot position up

#### Under-Bed Light On/Off

press to turn on LED light; press again to turn off.



#### Head-down button

press to adjust the head position down

#### Foot-down button

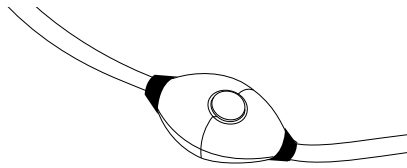
press to adjust the foot position down

#### One Press Flat position

press to go back to flat position; the process can be interrupted by pressing any other buttons.

### 4. Convenient “Flat Button” on Control Box

In case of power outage or malfunction of the remote, press the “Pair/ Flat” button to bring the bed frame to flat position.



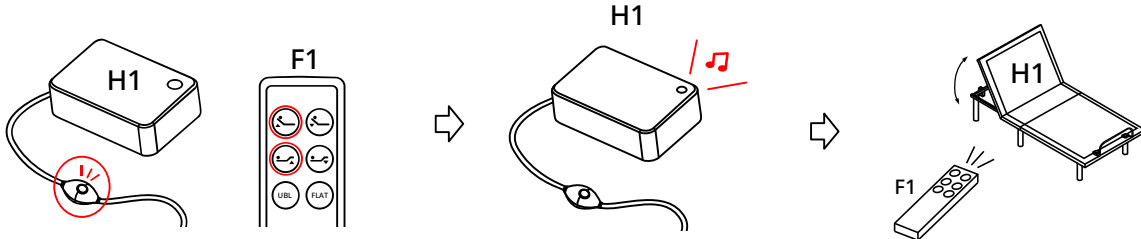
#### Warning:

To reduce the risk of burns, fire, electric shock, or injury to persons:

1. Unplug bed frame from outlet before adding or removing accessories.
2. Unplug bed frame from outlet before moving it.
3. Do not move or drag the bed frame when plug is attached to the outlet.
4. Close supervision is necessary when this bed frame is used by, or near children, pets or persons that may need assistance.
5. Use bed frame only for its intended use as described in instructions
6. Never operate the bed frame if it has a damaged cord or plug for any reason.
7. Keep the cord away from heated surfaces or appliances.
8. Never drop or insert any object into any bed opening.
9. To disconnect, remove plug from outlet.

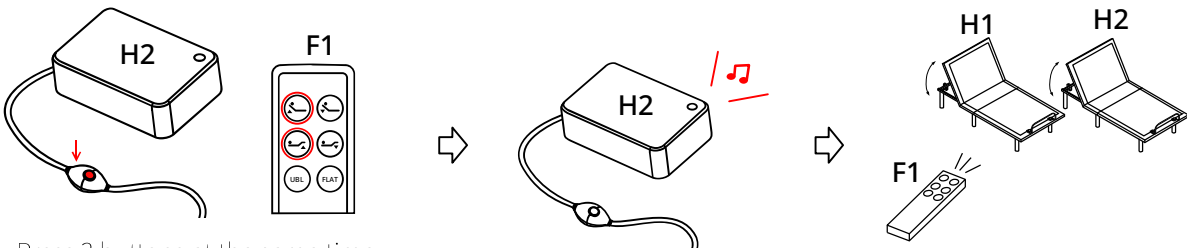
## 5. Remote Pairing and Synchronizing

① Remote F1 pairing with Base H1.



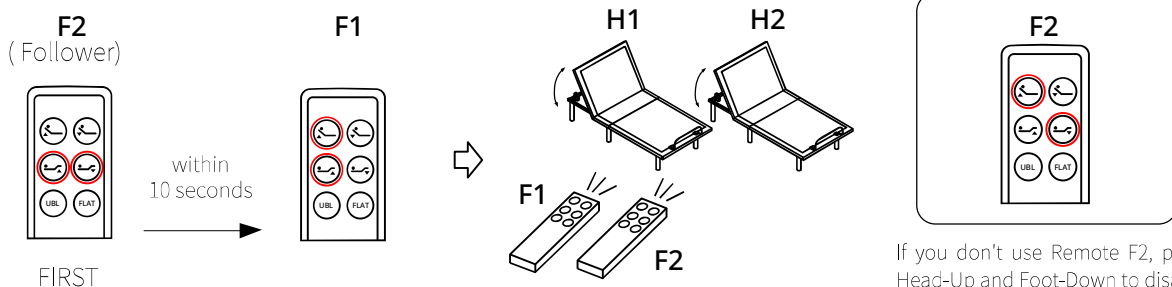
Press 3 buttons at the same time.

② (For Split King or Split Cal King only) If using 2 bases, remote F1 controls Base H1 and H2 simultaneously. (Remote F1 already is paired with Base H1)



Press 3 buttons at the same time.

③ Both remote F1 and F2 control Base H1 and H2. (Remote F1 already is paired with Base H1)



If you don't use Remote F2, press Head-Up and Foot-Down to disable the above feature